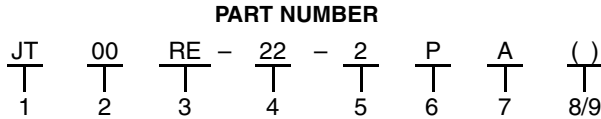


# How to Order – Subminiature JT/LJT MIL-C-27599 solder contact connectors

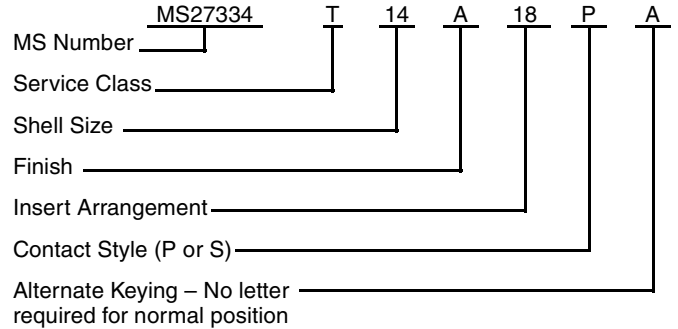
To illustrate ordering procedure for solder type subminiature connectors, part number JT00RE-22-2PA( ) is shown as follows:



See code below:

1. Connector Type:
  - JT designates standard Junior Tri-Lock connector
  - LJT designates long Junior Tri-Lock connector
  - JTG designates plug with grounding fingers (Grounding fingers standard on all LJT plugs)
  - JTN designates connector with iridite finish, (gold color) N<sub>2</sub>O<sub>4</sub> resistant
2. Shell Style:
  - 00 designates wall mount receptacle
  - 01 designates line mount receptacle
  - 02 designates box mount receptacle
  - 06 designates straight plug
  - 07 designates jam nut receptacle
  - 08 designates 90 degree plug
3. Service Class: Solder contacts/connectors
  - "P" for potting applications – These connectors are supplied with a potting boot (not applicable to box mounting style).
  - "A" for general duty applications
  - "A (SR)" – threaded rear design with strain relief†
  - "C" for pressurized applications
  - "C (SR)" – threaded rear design with strain relief†
  - "T" for MS27599 applications – General duty – pressurized (receptacles only)
4. Shell Size:
  - JT shell sizes available from 8 through 24. LJT shell sizes available from 9 through 25. (Amphenol catalog 12-090).
5. Insert Arrangement:
  - 22-2 designates insert arrangement. Refer to Amphenol catalog 12-090.
6. Contact Style:
  - P designates pin contacts. S designates socket contacts.
7. Alternate Keying:
  - "A" designates alternate keying connector assembly. Other basic alternate keys are "B", "C", and "D". No letter required for normal (no rotation) position. See Amphenol catalog 12-090.
8. "SR" designates a strain relief clamp. Strain reliefs are available only on "A" & "C" class connectors.
9. Finish variation suffix.

## MILITARY TYPES



For MS depictions and dimensional data see Mil-Spec, MIL-C-27599

Amphenol Federal Vendor Identification/FSCM 77820

Finish	Military Finish Data	Finish Suffix	Finish plus "SR" Suffix
Cadmium plated nickel base	A		(SR)
Olive drab cadmium plate nickel base	B	(014)	(386)
Electroless nickel		(023)	(424)
Anodic coating (Alumilite)		(005)	(300)
Chromate treated (Iridite 14-2)		(011)	(344)

† Not applicable to box mounting style