

Coaxial Contacts for Subminiature Cylindrical application data

JT-R Series, MIL-DTL-38999 Series II, MIL-C-39029 (27, 28, 76, 78)

COAX CONTACTS FOR USE IN JT-R CONNECTORS											
Cable	Contact Part Number		Contact Size	Dimensional Data (See Drawings below)				Crimping Tools		Installation Tools	
				G Dia. ± 0.0005	H Dia. ± 0.0010	L Length Ref.		Inner Contact	Crimp Ferrule	Insertion	Removal
	Pin	Socket		Pin	Socket						
RG-178B/U, RG-196A/U	21-33122-564 (M39029/76-425)	21-33121-564 (M39029/78-433)	16	0.0150	0.0625	0.570	0.554	MIL-C-22520/2-01 with Positioner M22520/2-35 or with Daniels Positioner K532	M22520/4-01 with Positioner M22520/4-02	M81969/8-07 or M81969/14-03	M81969/8-08 or M81969/14-03
Haveg 30-00761 30-02024 30-02033 Tensolite 24713/A955KK1 26723/A955KK1	21-33122-562*	21-33121-562*								Amphenol 11-8674-16 11-8794-16 or MS27495A16 or MS27534-16	Amphenol 11-8675-16 11-8795-16 or MS27495R16 or MS27534-16
Haveg 61-02051	21-33122-561*	21-33121-561*									
RG-174A/U, RG-188A/U, RG-161/U, RG-187A/U, RG-316/U, RG-179B/U, Haveg 8100207, Times (HS-179) AA3248 Teledyne 11299	21-33122-563 (M39029/76-424)	21-33121-563 (M39029/78-432)									
RG-180B/U, RG-195A/U, Raychem 9528A1318	21-33122-541 (M39029/28-409)	21-33121-541 (M39029/27-402)	12	0.0200	0.0940	0.570	0.554	MIL-C-22520/2-01 with Positioner M22520/2-34 or with Daniels Positioner K323	MIL-C-22520/31-01 with Positioner M22520/31-02 or Daniels GS-200 Tool with Positioner G2P330	M81969/8-09 or M81969/14-04	M81969/8-10 or M81969/14-04
Raychem 5022E5111	21-33122-543*	21-33121-543*								Amphenol 11-8674-12 11-8794-12 or MS27495A12 or MS27534-12	Amphenol 11-8675-12 11-8795-12 or MS27495R12 or MS27534-12
Raychem 9530A5314	21-33122-544	21-33121-544									
Raychem 9527A1318	21-33122-545	21-33121-545									
Gore GWN1159A	21-33122-547*	21-33121-547*									
RG-178, Gore CXN3403	21-33651-18	21-33729-18								MH992 (Daniels) with Positioner K1360	M22520/5-01 with Positioner M22520/5-03

* Consult Amphenol, Sidney NY for availability.

SUBMINIATURE CONTACT DATA

All contacts mate with other contacts in this series which have the same inner and outer contact diameters (G and H dimensions).

JT

Example: Socket 21-33121-564 on RG-196A/U cable will mate with pin 21-33122-563 on RG-188A/U cable which is used in both this and the LJ-T-R series.

LJT, TV, SJT,
Amphe-Lite

Example: Socket 21-33123-564 on RG-196A/U cable will mate with pin 21-33122-563 on RG-188A/U cable which is used in both this and the JT-R series.

Installation instructions are packaged with each contact and can be found on-line at www.amphenol-aerospace.com (from home page, go to Tech Support, Service Instructions and enter contact part number).

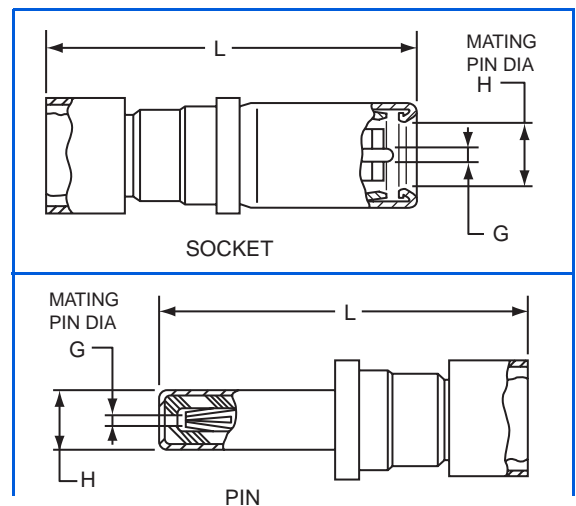
Finish of mating contact parts: Contact part numbers shown in the chart above are supplied with 0.000050 min. gold (Knoop hardness 130-200) over nickel on mating parts.

Other finishes are available; consult Amphenol.

Daniels crimping tools are available from:

Daniels Mfg. Corp. 6103 Anno Ave., Orlando FL 32809

TYPICAL ILLUSTRATION OF COAX CONTACT FOR SUBMINIATURE CONNECTORS



Coaxial Contacts for Subminiature Cylindricals

application data, cont.

LJT-R, MIL-DTL-38999 Series I; TV-R, MIL-DTL-38999 Series III; Amphe-Lite and SJT-R Series, MIL-C-39029 (28, 59, 60, 75, 76, 77)

COAX CONTACTS FOR USE IN LJTR, TVR, AMPHE-LITE AND SJTR CONNECTORS												
Cable	Contact Part Number		Contact Size	Dimensional Data (See Drawings pg. 9)				Crimping Tools		Installation Tools		
				G Dia.	H Dia. ±0.0010	L Length Ref.						
	Pin	Socket				Pin	Socket	Inner Contact	Crimp Ferrule	Insertion	Removal	
RG-178B/U, RG-196A/U	21-33122-564 (M39029/76-425)	21-33123-564 (M39029/77-429)	16	0.0150 ± 0.0005	0.0625	0.570	0.891	MIL-C-22520/2-01 with Positioner M22520/2-35 or with Daniels Positioner K532	M22520/4-01 with Positioner M22520/4-02	M81969/8-07 or M81969/14-03	M81969/8-08 or M81969/14-03	
Haveg 30-00761 30-02024 30-02033 Tensolite 24713/A955KK1 26723/A955KK1	21-33122-562*	21-33123-562*								Amphenol 11-8674-16 11-8794-16 or MS27495A16 or MS27534-16	Amphenol 11-8675-16 11-8795-16 or MS27495R16 or MS27534-16	
Haveg 61-02051	21-33122-561*	21-33123-561*										
RG-174A/U, RG-188A/U, RG-316/U, RG-161/U, RG-187A/U, RG-179B/U, Haveg 8100207, Times (HS-179) AA3248 Teledyne 11299	21-33122-563 (M39029/76-424)	21-33123-563 (M39029/77-428)										
RG-180B/U, RG-195A/U, Raychem 9528A1318	21-33122-541 (M39029/28-409)	21-33123-541 (M39029/75-417)	12	0.0200 ± 0.0005	0.0940	0.570	0.891	MIL-C-22520/2-01 with Positioner M22520/2-34 or with Daniels Positioner K323	M22520/31-01 with Positioner M22520/31-02 or Daniels GS-200 Tool with Positioner G2P330	M81969/8-09 or M81969/14-04	M81969/8-10 or M81969/14-04	
Raychem 5022E5111	21-33122-543*	21-33123-543*								Amphenol 11-8674-12 11-8794-12 or MS27495A12 or MS27534-12	Amphenol 11-8675-12 11-8795-12 or MS27495R12 or MS27534-12	
Raychem 9530A5314	21-33122-544*	21-33123-544*										
Raychem 9527A1318	21-33122-545*	21-33123-545*										
Gore GWN1159A	21-33122-547	21-33123-547										
RG-187A/U, RG-179B/U, RG-174A/U, RG-188A/U, RG-316/U, RG-161/U Haveg 8100207 Times (HS-179) AA3248 Teledyne 11299	21-33102-23*	21-33101-23*	8	0.0355 ± 0.0010	0.218	1.053	1.160	MIL-C-22520/2-01 with Positioner M22520/2-31** or solder	M22520/5-01 with die set M22520/5-03 (A) or M22520/5-08 (A) M22520/5-35 (B) or M22520/10-01 with Die Set M22520/10-05 (A)	hand inserted	11-9170 or MS	
RG-142B/U, RG-223/U	21-33102-24*	21-33101-24*										M22520/5-01 with die set M22520/5-05 (A) or M22520/5-19 (B) or M22520/10-01 with Die Set M22520/10-07 (A)
Haveg 51-03111 Tensolite 28895/2X1	21-33102-22	21-33101-22										M22520/5-01 with die set M22520/5-05 (B) or M22520/5-41 (B) or M22520/10-01 with Die Set M22520/10-07 (B)
RG-180B/U, RG-195A/U, Raychem 9528A1318	21-33102-21 (M39029/60-367 Supersedes MS27536)	21-33101-21 (M39029/59-366 Supersedes MS27535)										

NOTE: Contacts can be ordered by part numbers given in chart

* Consult Amphenol, Sidney NY for availability

** When inner contact is installed by crimping only, 11-10124 Expander Tool Kit

CRIMPING TOOLS: Italicized letters in parenthesis that follow positioner part numbers indicate applicable die closure. Commercial equivalents with the same die closure dimension may be used

Coaxial Contacts for Subminiature Cylindricals

application data, cont.

LJT-R, MIL-DTL-38999 Series I; TV-R, MIL-DTL-38999 Series III; Amphe-Lite and SJT-R Series, MIL-C-39029 (28, 59, 60, 75, 76, 77), cont.

COAX CONTACTS FOR USE IN LJT-R, TV-R, AMPHE-LITE AND SJT-R CONNECTORS, CONT.											
Cable	Contact Part Number		Contact Size	Dimensional Data (See Drawings pg. 9)				Crimping Tools		Installation Tools	
				G Dia.	H Dia. ±0.0010	L Length Ref.		Inner Contact	Crimp Ferrule	Insertion	Removal
	Pin	Socket				Pin	Socket				
RD-316 Double Shield (M17/152-00001)	21-33102-25	21-33101-25	8	.0355 ± 0.0010	0.218	1.053	1.16	M22520/2-01 with Positioner M22520/2-31	M22520/5-01 with Die Set M22520/5-37 (B) or M22520/10-01 with Die Set M22520/10-15 (A)	hand inserted	11-9170 or MS
RG-400	21-33102-27	21-33101-27						M22520/2-01 with Positioner M22520/2-10	M22520/5-01 with Die Set M22520/5-45 (A)		
RG-58 (M17/155-00001)	21-33102-29	21-33101-29						Solder	M22520/5-01 with Die Set M22520/5-05 (B)		
5021D1331-0	21-33102-36	21-33101-36						M22520/2-01 with Positioner M22520/2-31	M22520/5-01 with Die Set M22520/5-05 (B) or M22520/10-01 with Die Set M22520/10-07 (B)		
5M2869-001	21-33102-37	21-33101-37						M22520/2-01 with Positioner M22520/2-31	M22520/5-01 with Die Set M22520/5-05 (B) or M22520/10-01 with Die Set M22520/10-07 (B)		
FA-19X	21-33652-001	21-033653-001						M22520/2-01 with Positioner K1106	M22520/5-01 with Die Set Y25 (B)		
RG-316, RG-179, T-Flex-405	21-33651-011	21-33650-011	12	0.0200 ± 0.0005	0.094	0.556	0.884	MH992 (Daniels) with Positioner K1360	M22520/5-01 with Die Set M22520/5-03 (A) or M22520/5-35 (B)	hand inserted	11-9170 or MS
RD-316, M17/152-0001, Filotex ET 124962	21-33651-017	21-33650-017						MH992 (Daniels) with Positioner K1360	M22520/31-01 with Die Set GP959 (Daniels)		
JN1088WT & WU	21-33213-042	21-33214-042						MH992 (Daniels) with Positioner K1361	M22520/5-01 with Die Set M22520/5-03 (A) or M22520/5-35 (B)		
JN1088WU	21-33213-043	21-33214-043						MH992 (Daniels) with Positioner K1362			
PAN6422XQ	21-33651-012	21-33650-012						MH992 (Daniels) with Positioner K1360			
PAN6422XY, PAN6595XM	21-33651-014	21-33650-014						MH992 (Daniels) with Positioner K1361			

NOTE: Contacts can be ordered by part numbers given in chart
Consult Amphenol, Sidney NY for availability

** When inner contact is installed by crimping only. 11-10134 Expander Tool Kit must be used to assemble rear insulator over contact.

CRIMPING TOOLS: Italicized letters in parenthesis that follow positioner part numbers indicate applicable die closure. Commercial equivalents with the same die closure dimension may be used.