

Amphenol® FJT Series Subminiature Cylindrical Filters

The Amphenol® FJT Series space and weight saving design, coupled with a filter, gives high reliability.

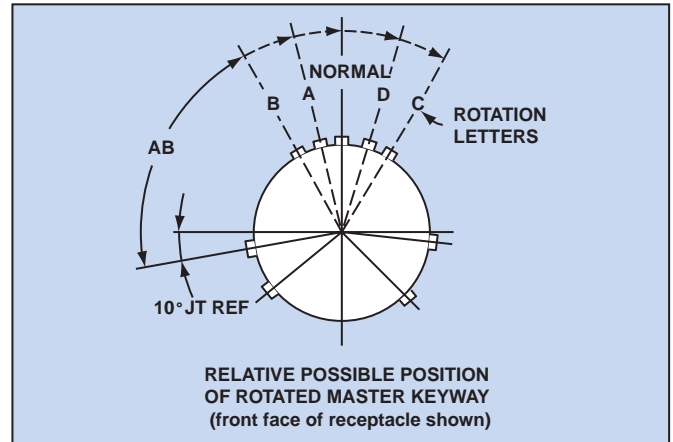
- Intermateable with MIL-DTL-38999/27599 Series II connectors (see Catalog 12-090)
- Quick Positive Coupling – 3 point bayonet locking
- Error-proof alternate positioning of shell keyways
- Higher reliability and greater durability with permanently encapsulated contacts
- Environmental Resistant
- Aluminum shells with several finish options

FJT Master Key/Keyway Rotation

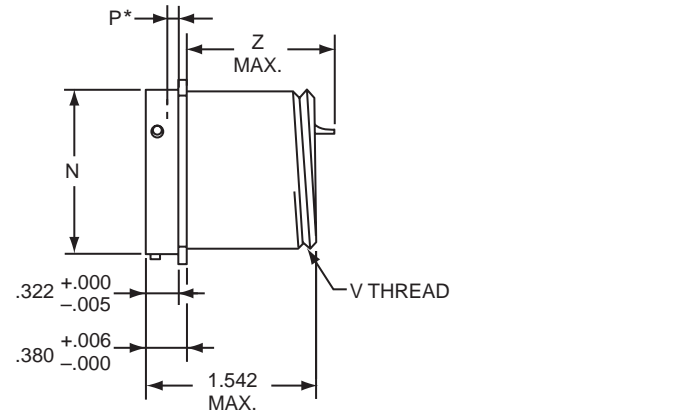
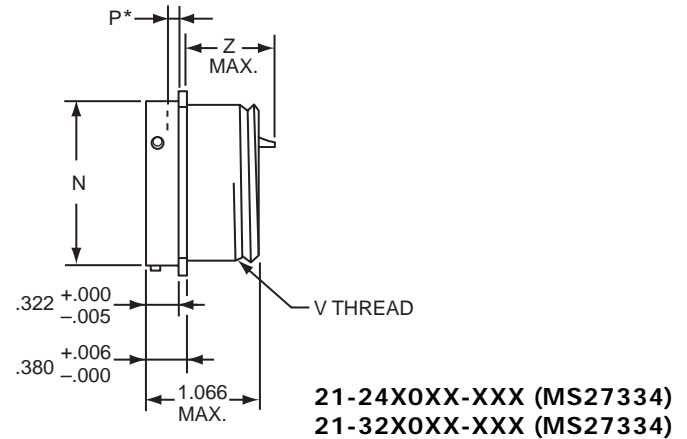
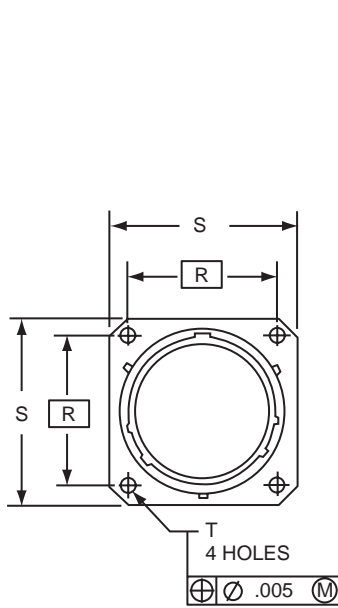
| Shell Size | AB Angle of Rotation (Degrees) | | | | |
|------------|--------------------------------|----|----|-----|-----|
| | Normal | A | B | C | D |
| 8 | 100 | 82 | – | – | 118 |
| 10 | 100 | 86 | 72 | 128 | 114 |
| 12 | 100 | 80 | 68 | 132 | 120 |
| 14 | 100 | 79 | 66 | 134 | 121 |
| 16 | 100 | 82 | 70 | 130 | 118 |
| 18 | 100 | 82 | 70 | 130 | 118 |
| 20 | 100 | 82 | 70 | 130 | 118 |
| 22 | 100 | 85 | 74 | 126 | 115 |
| 24 | 100 | 85 | 74 | 126 | 115 |

A plug with a given rotation letter will mate with a receptacle with the same rotation letter. The AB angle for a given connector is the same whether it contains pins or sockets. Inserts are not rotated in conjunction with the master key/keyway.

AB angles shown are viewed from the front face of the connector. A receptacle is shown at right. The angles for the plug are exactly the same, except the direction of rotation is opposite of that shown for the receptacle.



FJT wall mounting receptacle



For ordering information, see how to order page 67.

Plug movement required to clear FJT receptacles: .281 min.

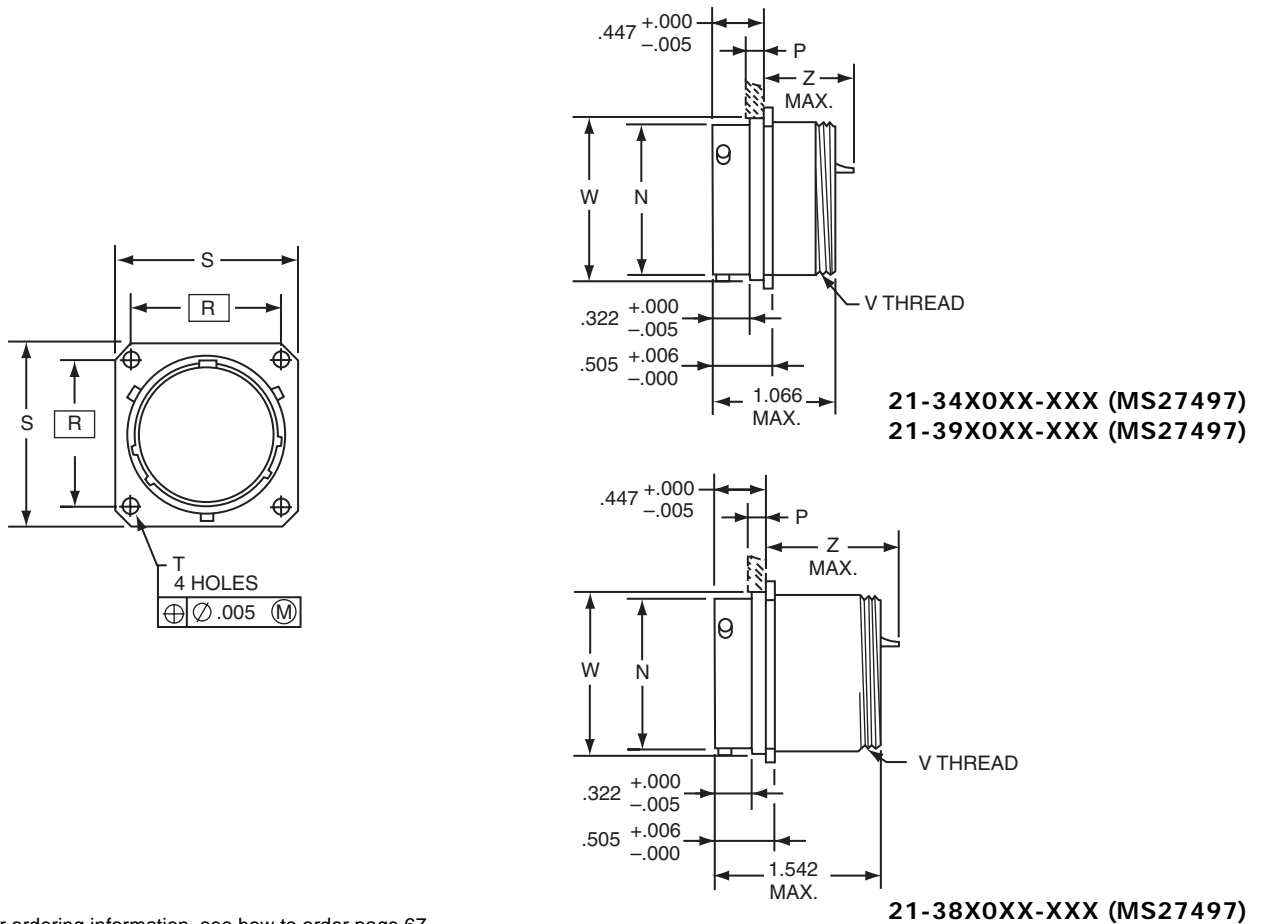
* Acceptable panel thickness for back panel mounting a standard receptacle.

21-37X0XX-XXX (MS27334)

| Shell Size | N Dia +.001 -.005 | P* Max. | R (TP) | S +.011 -.010 | T Dia. ±.005 | V Thread UNEF-2A (Plated) | SHORT SHELL VHF/UHF/MF Filters | | | LONG SHELL HF Filters | |
|------------|-------------------------|------------|-----------|---------------------|--------------------|------------------------------------|-----------------------------------|---|------------------------------|------------------------------|--|
| | | | | | | | Size 20 Contact Z Max. | Size 16 or 16 & 20 Contacts Z Max. | Size 22 Contact Z Max. | Size 20 Contact Z Max. | Size 16 or 16 & 20 Contacts Z Max. |
| 8 | .473 | .022 | .594 | .812 | .120 | .4375-28 | .937 | .952 | .902 | 1.300 | 1.496 |
| 10 | .590 | .027 | .719 | .938 | .120 | .5625-24 | .937 | .952 | .902 | 1.300 | 1.496 |
| 12 | .750 | .027 | .812 | 1.031 | .120 | .6875-24 | .937 | .952 | .902 | 1.300 | 1.496 |
| 14 | .875 | .027 | .906 | 1.125 | .120 | .8125-20 | .937 | .952 | .902 | 1.300 | 1.496 |
| 16 | 1.000 | .027 | .969 | 1.219 | .120 | .9375-20 | .937 | .952 | .902 | 1.300 | 1.496 |
| 18 | 1.125 | .027 | 1.062 | 1.312 | .120 | 1.0625-18 | .937 | .952 | .902 | 1.300 | 1.496 |
| 20 | 1.250 | .054 | 1.156 | 1.438 | .120 | 1.1875-18 | .937 | .952 | .902 | 1.300 | 1.496 |
| 22 | 1.375 | .054 | 1.250 | 1.562 | .120 | 1.3125-18 | .937 | .952 | .902 | 1.300 | 1.496 |
| 24 | 1.500 | .054 | 1.375 | 1.688 | .147 | 1.4375-18 | .937 | .952 | .902 | 1.300 | 1.496 |

All dimensions for reference only.

wall mounting receptacle (back panel mounting)



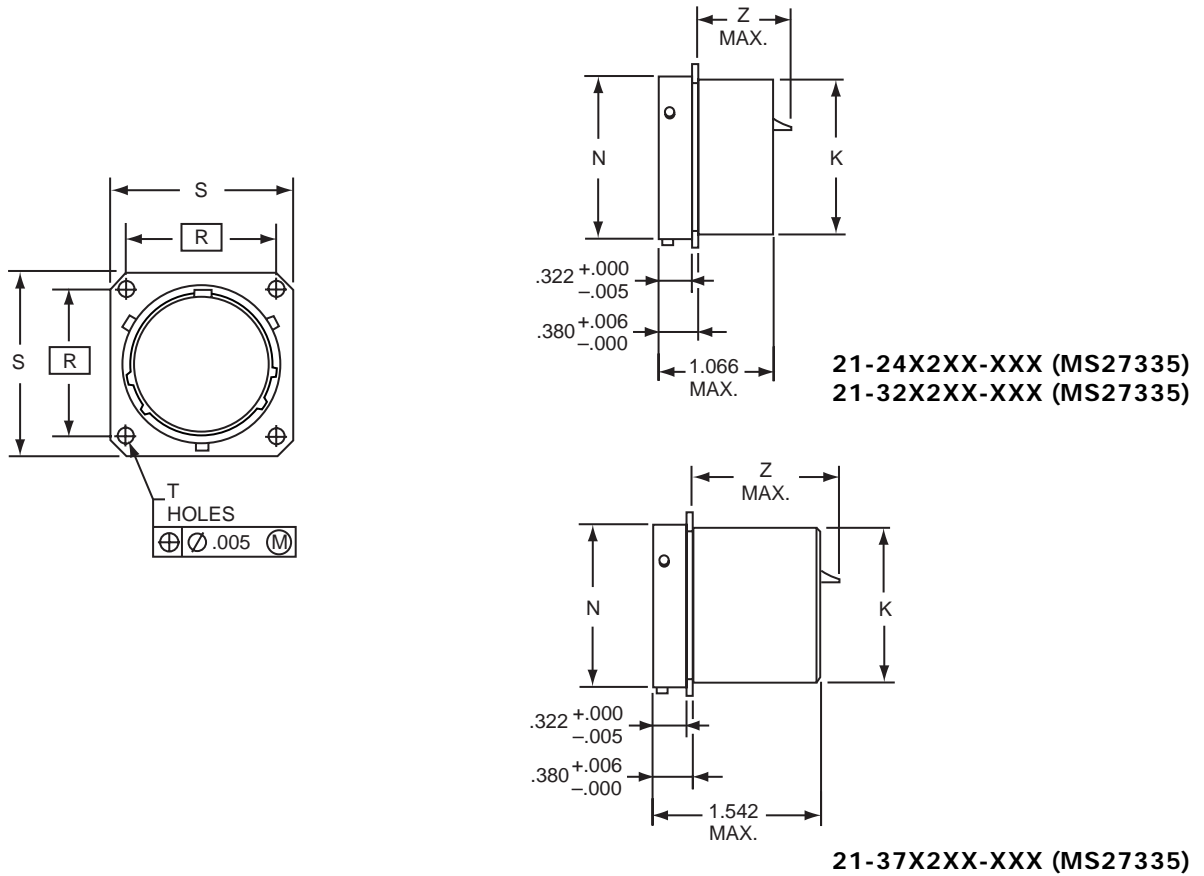
For ordering information, see how to order page 67.

Plug movement required to clear FJT receptacles: .281 min.

| Shell Size | N Dia +.001 -.005 | P Max. Panel Thickness | R (TP) | S +.011 -.010 | T Dia. ±.005 | V Thread UNEF-2A (Plated) | W Dia. +.001 -.005 | SHORT SHELL VHF/UHF/MF Filters | | LONG SHELL HF Filters | |
|------------|-------------------------|------------------------|--------|---------------------|-----------------|---------------------------------|--------------------------|---------------------------------------|---------------------------------|---------------------------------------|---------------------------|
| | | | | | | | | Size 16 or 16 & 20 Contacts Z Max. | Size 20 or 22 Contact Z Max. | Size 16 or 16 & 20 Contacts Z Max. | Size 20 Contact Z Max. |
| 8 | .473 | .147 | .594 | .812 | .120 | .4375-28 | .516 | .900 | .875 | 1.385 | 1.285 |
| 10 | .590 | .152 | .719 | .938 | .120 | .5625-24 | .633 | .900 | .875 | 1.385 | 1.285 |
| 12 | .750 | .152 | .812 | 1.031 | .120 | .6875-24 | .802 | .900 | .875 | 1.385 | 1.285 |
| 14 | .875 | .152 | .906 | 1.125 | .120 | .8125-20 | .927 | .900 | .875 | 1.385 | 1.285 |
| 16 | 1.000 | .152 | .969 | 1.219 | .120 | .9375-20 | 1.052 | .900 | .875 | 1.385 | 1.285 |
| 18 | 1.125 | .152 | 1.062 | 1.312 | .120 | 1.0625-18 | 1.177 | .900 | .875 | 1.385 | 1.285 |
| 20 | 1.250 | .179 | 1.156 | 1.438 | .120 | 1.1875-18 | 1.302 | .900 | .875 | 1.385 | 1.285 |
| 22 | 1.375 | .179 | 1.250 | 1.562 | .120 | 1.3125-18 | 1.427 | .900 | .875 | 1.385 | 1.285 |
| 24 | 1.500 | .179 | 1.375 | 1.688 | .147 | 1.4375-18 | 1.552 | .900 | .875 | 1.385 | 1.285 |

All dimensions for reference only.

box mounting receptacle



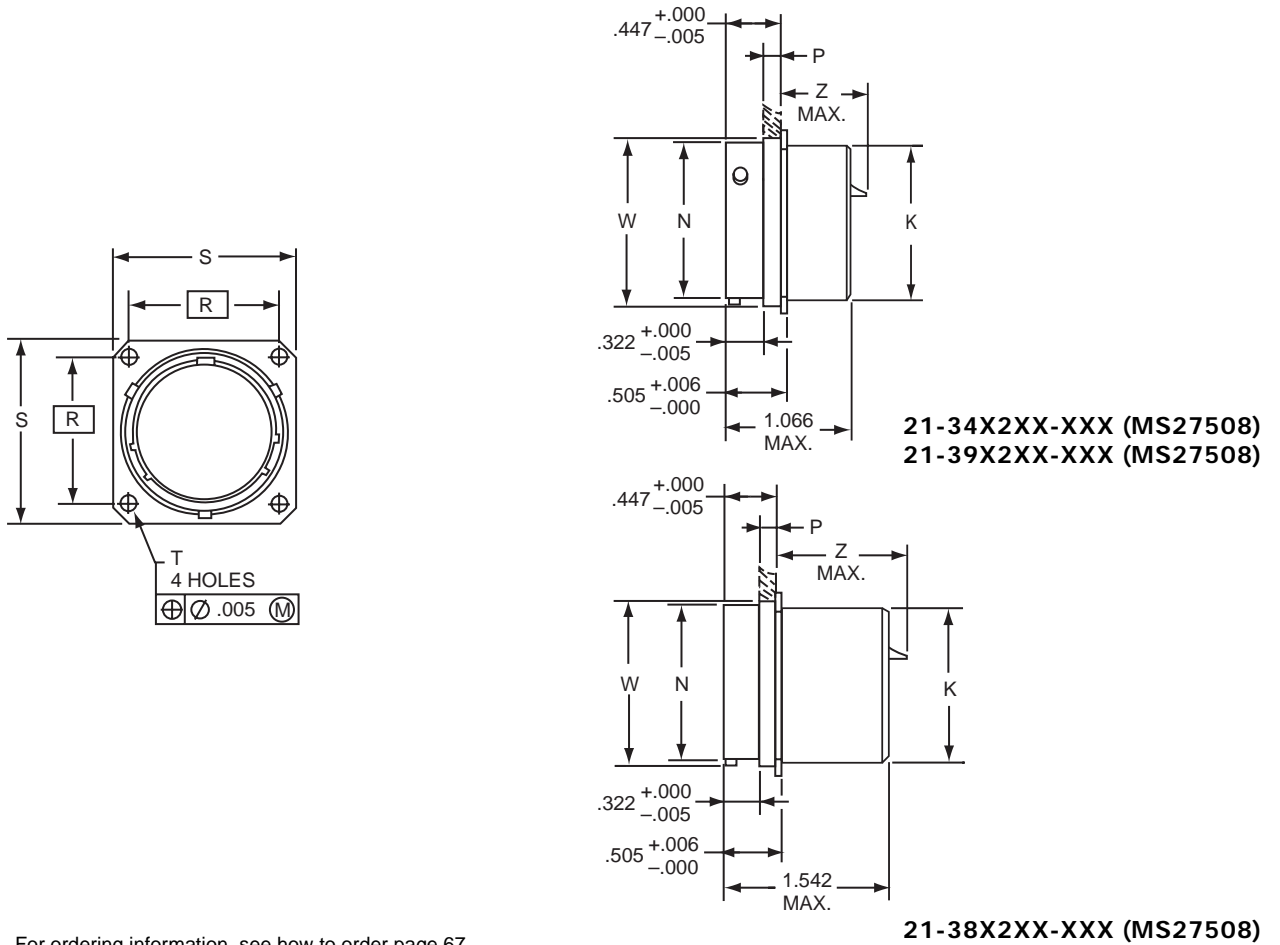
For ordering information, see how to order page 67.

Plug movement required to clear FJT receptacles: .281 min.

| Shell Size | K Dia. +.000 / -.007 | N Dia +.001 / -.005 | R (TP) | S +.011 / -.010 | T Dia. ±.005 | SHORT SHELL VHF/UHF/MF Filters | | | LONG SHELL HF Filters | |
|------------|----------------------|---------------------|--------|-----------------|--------------|--------------------------------|------------------------------------|------------------------|------------------------|------------------------------------|
| | | | | | | Size 20 Contact Z Max. | Size 16 or 16 & 20 Contacts Z Max. | Size 22 Contact Z Max. | Size 20 Contact Z Max. | Size 16 or 16 & 20 Contacts Z Max. |
| 8 | .438 | .473 | .594 | .812 | .120 | .937 | .952 | .902 | 1.300 | 1.496 |
| 10 | .562 | .590 | .719 | .938 | .120 | .937 | .952 | .902 | 1.300 | 1.496 |
| 12 | .688 | .750 | .812 | 1.031 | .120 | .937 | .952 | .902 | 1.300 | 1.496 |
| 14 | .812 | .875 | .906 | 1.125 | .120 | .937 | .952 | .902 | 1.300 | 1.496 |
| 16 | .938 | 1.000 | .969 | 1.219 | .120 | .937 | .952 | .902 | 1.300 | 1.496 |
| 18 | 1.062 | 1.125 | 1.062 | 1.312 | .120 | .937 | .952 | .902 | 1.300 | 1.496 |
| 20 | 1.188 | 1.250 | 1.156 | 1.438 | .120 | .937 | .952 | .902 | 1.300 | 1.496 |
| 22 | 1.312 | 1.375 | 1.250 | 1.562 | .120 | .937 | .952 | .902 | 1.300 | 1.496 |
| 24 | 1.438 | 1.500 | 1.375 | 1.688 | .147 | .937 | .952 | .902 | 1.300 | 1.496 |

All dimensions for reference only.

box mounting receptacle (back panel mounting)



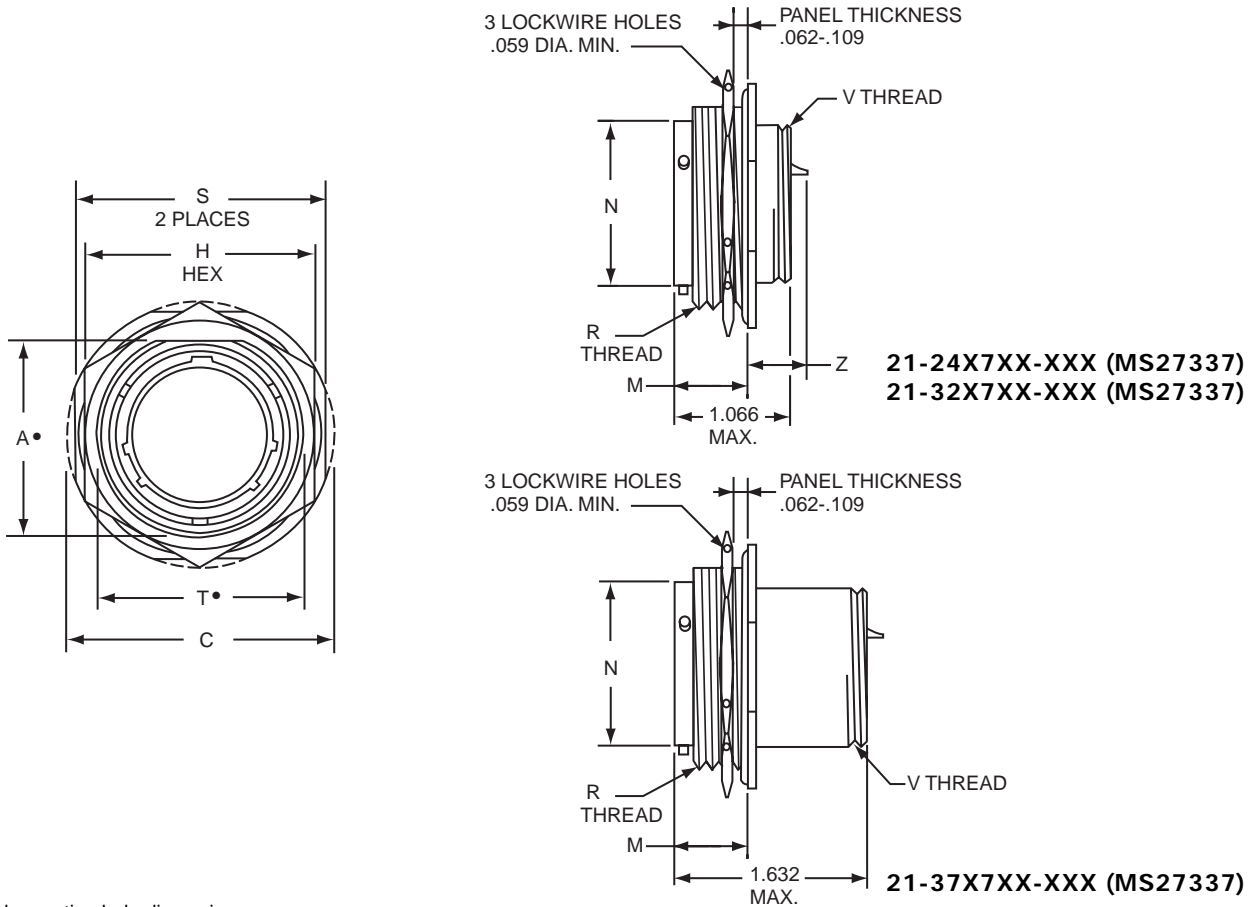
For ordering information, see how to order page 67.

Plug movement required to clear FJT receptacles: .281 min.

| Shell Size | K Dia. +.000 - .007 | N Dia. +.001 - .005 | P Max. Panel Thickness | R (TP) | S +.011 - .010 | T Dia. ±.005 | W Dia. +.001 - .005 | SHORT SHELL VHF/UHF/MF Filters | | LONG SHELL HF Filters | |
|------------|---------------------|---------------------|------------------------|--------|----------------|--------------|---------------------|------------------------------------|------------------------------|------------------------------------|------------------------|
| | | | | | | | | Size 16 or 16 & 20 Contacts Z Max. | Size 20 or 22 Contact Z Max. | Size 16 or 16 & 20 Contacts Z Max. | Size 20 Contact Z Max. |
| 8 | .438 | .473 | .147 | .594 | .812 | .120 | .516 | .900 | .875 | 1.385 | 1.285 |
| 10 | .562 | .590 | .152 | .719 | .938 | .120 | .633 | .900 | .875 | 1.385 | 1.285 |
| 12 | .688 | .750 | .152 | .812 | 1.031 | .120 | .802 | .900 | .875 | 1.385 | 1.285 |
| 14 | .812 | .875 | .152 | .906 | 1.125 | .120 | .927 | .900 | .875 | 1.385 | 1.285 |
| 16 | .938 | 1.000 | .152 | .969 | 1.219 | .120 | 1.052 | .900 | .875 | 1.385 | 1.285 |
| 18 | 1.062 | 1.125 | .152 | 1.062 | 1.312 | .120 | 1.177 | .900 | .875 | 1.385 | 1.285 |
| 20 | 1.188 | 1.250 | .179 | 1.156 | 1.438 | .120 | 1.302 | .900 | .875 | 1.385 | 1.285 |
| 22 | 1.312 | 1.375 | .179 | 1.250 | 1.562 | .120 | 1.427 | .900 | .875 | 1.385 | 1.285 |
| 24 | 1.438 | 1.500 | .179 | 1.375 | 1.688 | .147 | 1.552 | .900 | .875 | 1.385 | 1.285 |

All dimensions for reference only.

jam nut receptacle



• "D" shaped mounting hole dimensions

For ordering information, see how to order page 67.

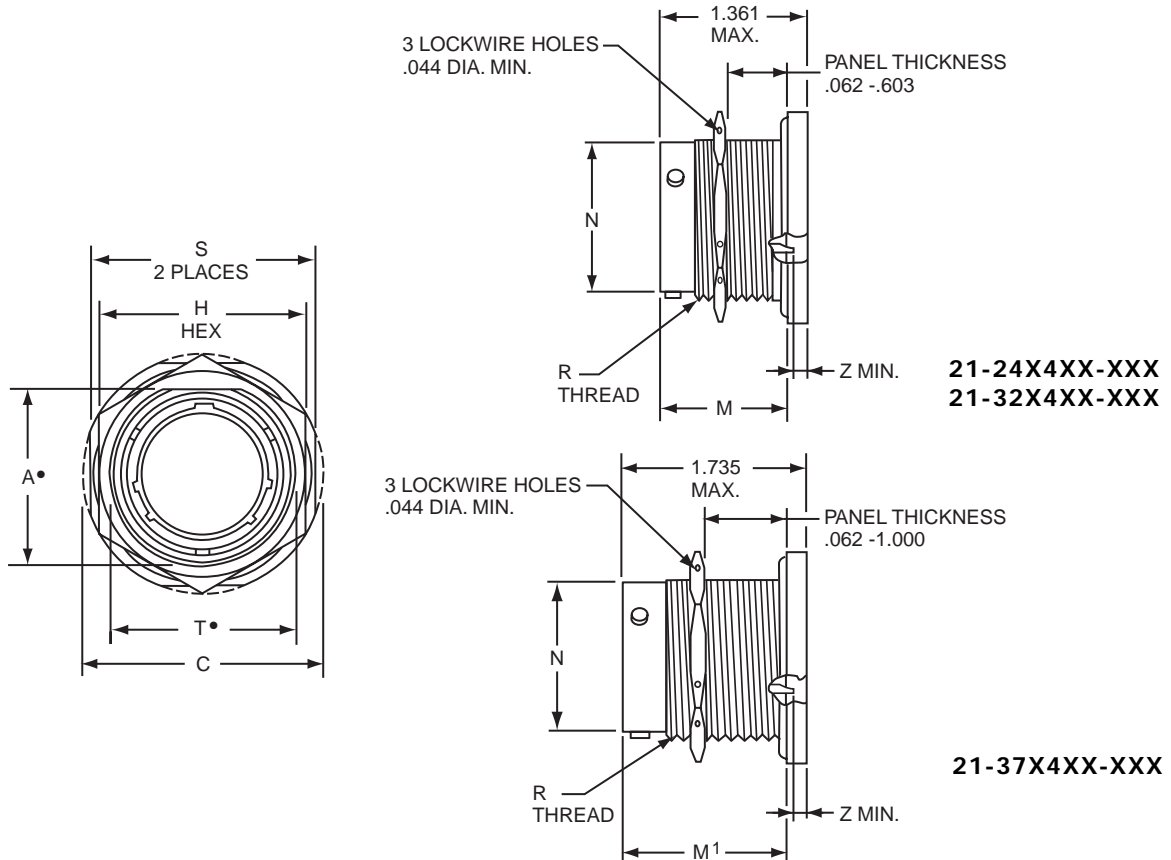
Plug movement required to clear FJT receptacles: .281 min.

| Shell Size | A* Flat +.000 -.010 | C Dia. +.011 -.010 | H Hex +.017 -.016 | M ±.005 | N Dia +.001 -.005 | R Thread (Plated) Class -2A | S ±.010 | T* Dia. +.010 -.000 | V Thread UNEF-2A (Plated) | SHORT SHELL VHF/UHF/MF Filters | | | LONG SHELL HF Filters | |
|------------|---------------------------|--------------------------|-------------------------|------------|-------------------------|-----------------------------------|------------|---------------------------|---------------------------------|---|------------------------------|------------------------------|---|------------------------------|
| | | | | | | | | | | Size 16 or 16 & 20 Contacts Z Max. | Size 20 Contact Z Max. | Size 22 Contact Z Max. | Size 16 or 16 & 20 Contacts Z Max. | Size 20 Contact Z Max. |
| 8 | .830 | 1.375 | 1.062 | .438 | .473 | .8750-20UNEF | 1.250 | .884 | .4375-28 | .900 | .884 | .849 | 1.443 | 1.276 |
| 10 | .955 | 1.500 | 1.188 | .438 | .590 | 1.0000-20UNEF | 1.375 | 1.007 | .5625-24 | .900 | .884 | .849 | 1.443 | 1.276 |
| 12 | 1.084 | 1.625 | 1.312 | .438 | .750 | 1.1250-18UNEF | 1.500 | 1.134 | .6875-24 | .900 | .884 | .849 | 1.443 | 1.276 |
| 14 | 1.208 | 1.750 | 1.438 | .438 | .875 | 1.2500-18UNEF | 1.625 | 1.259 | .8125-20 | .900 | .884 | .849 | 1.443 | 1.276 |
| 16 | 1.333 | 1.938 | 1.562 | .438 | 1.000 | 1.3750-18UNEF | 1.781 | 1.384 | .9375-20 | .900 | .884 | .849 | 1.443 | 1.276 |
| 18 | 1.459 | 2.016 | 1.688 | .438 | 1.125 | 1.5000-18UNEF | 1.890 | 1.507 | 1.0625-18 | .900 | .884 | .849 | 1.443 | 1.276 |
| 20 | 1.576 | 2.141 | 1.812 | .464 | 1.250 | 1.6250-18UNEF | 2.016 | 1.634 | 1.1875-18 | .874 | .858 | .823 | 1.443 | 1.276 |
| 22 | 1.701 | 2.265 | 2.000 | .464 | 1.375 | 1.7500-18UNS | 2.140 | 1.759 | 1.3125-18 | .874 | .858 | .823 | 1.417 | 1.250 |
| 24 | 1.826 | 2.390 | 2.125 | .464 | 1.500 | 1.8750-16UN | 2.265 | 1.884 | 1.4375-18 | .874 | .858 | .823 | 1.417 | 1.250 |

All dimensions for reference only.

FJTP

jam nut receptacle (minimum penetration)



• "D" shaped mounting hole dimensions

For ordering information, see how to order page 67.

Plug movement required to clear FJT receptacles: .281 min.

| Shell Size | A* Flat +.000 -.010 | C Dia. +.011 -.010 | H Hex +.017 -.016 | M | M ¹ | N Dia +.001 -.005 | R Thread UNEF-2A (Plated) | S +.011 -.010 | T* Dia. +.010 -.000 | SHORT SHELL VHF/UHF/MF Filters | | | LONG SHELL HF Filters | |
|------------|---------------------------|--------------------------|-------------------------|-------|----------------|-------------------------|---------------------------------|---------------------|---------------------------|---|------------------------------|------------------------------|---|------------------------------|
| | | | | | | | | | | Size 16 or 16 & 20 Contacts Z Max. | Size 20 Contact Z Max. | Size 22 Contact Z Max. | Size 16 or 16 & 20 Contacts Z Max. | Size 20 Contact Z Max. |
| 8 | .542 | 1.062 | .750 | 1.220 | 1.594 | .473 | .5625-24 | .938 | .572 | .000 | .022 | .057 | .000 | .000 |
| 10 | .669 | 1.188 | .875 | 1.220 | 1.594 | .590 | .6875-24 | 1.062 | .697 | .000 | .022 | .057 | .000 | .000 |
| 12 | .830 | 1.375 | 1.062 | 1.220 | 1.594 | .750 | .8750-20 | 1.250 | .844 | .000 | .022 | .057 | .000 | .000 |
| 14 | .955 | 1.500 | 1.188 | 1.220 | 1.594 | .875 | 1.0000-20 | 1.375 | 1.007 | .000 | .022 | .057 | .000 | .000 |
| 16 | 1.084 | 1.625 | 1.312 | 1.220 | 1.594 | 1.000 | 1.1250-18 | 1.500 | 1.134 | .000 | .022 | .057 | .000 | .000 |
| 18 | 1.208 | 1.750 | 1.438 | 1.220 | 1.594 | 1.125 | 1.2500-18 | 1.625 | 1.259 | .000 | .022 | .057 | .000 | .000 |
| 20 | 1.333 | 1.938 | 1.562 | 1.188 | 1.563 | 1.250 | 1.3750-18 | 1.812 | 1.384 | .000 | .022 | .057 | .000 | .000 |
| 22 | 1.459 | 2.062 | 1.688 | 1.188 | 1.563 | 1.375 | 1.5000-18 | 1.938 | 1.507 | .000 | .022 | .057 | .000 | .000 |
| 24 | 1.575 | 2.188 | 1.812 | 1.188 | 1.563 | 1.500 | 1.6250-18 | 2.062 | 1.634 | .000 | .022 | .057 | .000 | .000 |

All dimensions for reference only.

Amphenol® FLJT Series Subminiature Cylindrical Filters

The Amphenol® FLJT Series offers all the design features of the FJT plus a 100% “scoop-proof” contact protection design.

- Intermountable with MIL-DTL-38999/27599 Series I connectors (see Catalog 12-090)
- Contact Protection - shell design prevents contact damage
- Quick Positive Coupling – 3 point bayonet locking
- Higher reliability and greater durability with permanently encapsulated contacts
- Environmental Resistant
- Aluminum shells with several finish options
- Error-proof alternate positioning of shell keyways
- Corrosion Resistant - 500 hour salt spray olive drab cadmium over nickel plating, class T (aluminum), or stainless steel shells

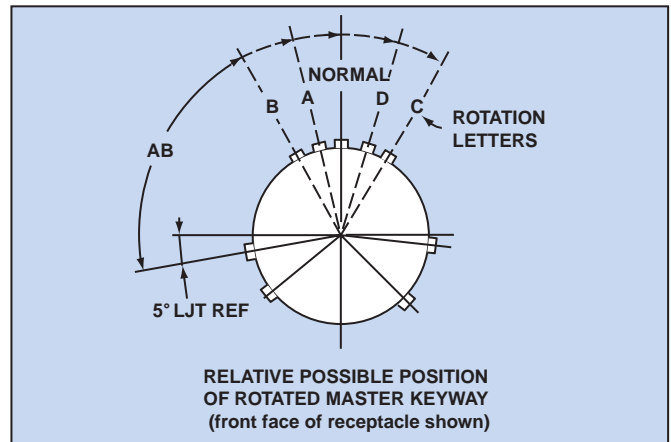


FLJT Master Key/Keyway Rotation

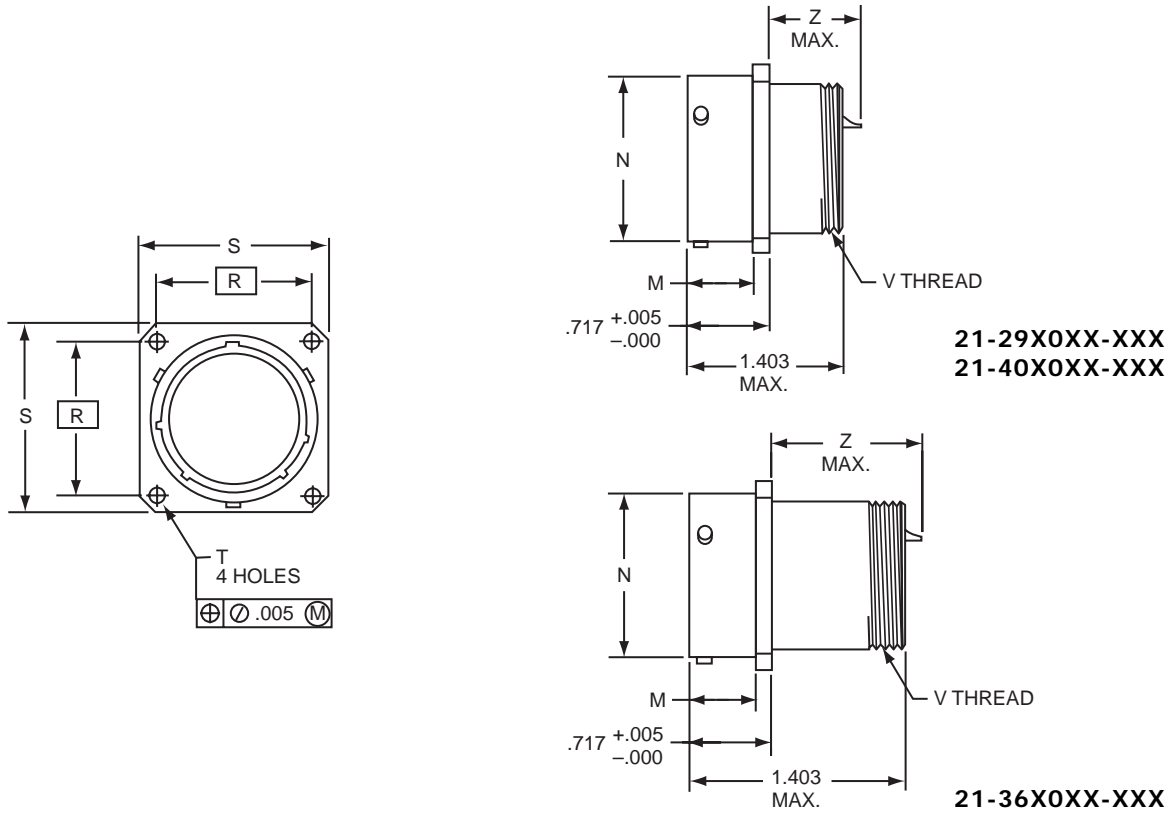
| Shell Size | AB Angle of Rotation (Degrees) | | | | |
|------------|--------------------------------|----|----|-----|-----|
| | Normal | A | B | C | D |
| 9 | 95 | 77 | – | – | 113 |
| 11 | 95 | 81 | 67 | 123 | 109 |
| 13 | 95 | 75 | 63 | 127 | 115 |
| 15 | 95 | 74 | 61 | 129 | 116 |
| 17 | 95 | 77 | 65 | 125 | 113 |
| 19 | 95 | 77 | 65 | 125 | 113 |
| 21 | 95 | 77 | 65 | 125 | 113 |
| 23 | 95 | 80 | 69 | 121 | 110 |
| 25 | 95 | 80 | 69 | 121 | 110 |

A plug with a given rotation letter will mate with a receptacle with the same rotation letter. The AB angle for a given connector is the same whether it contains pins or sockets. Inserts are not rotated in conjunction with the master key/keyway.

AB angles shown are viewed from the front face of the connector. A receptacle is shown at right. The angles for the plug are exactly the same, except the direction of rotation is opposite of that shown for the receptacle.



FLJT wall mounting receptacle



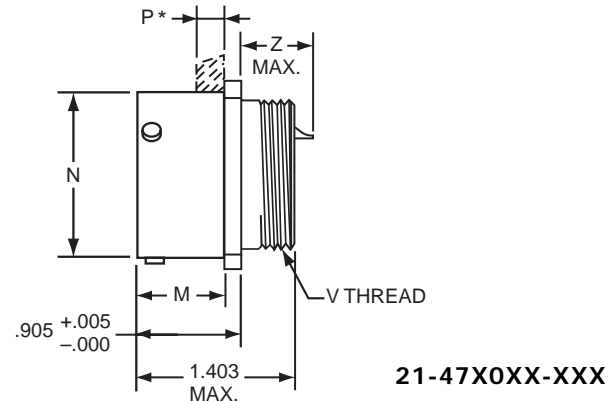
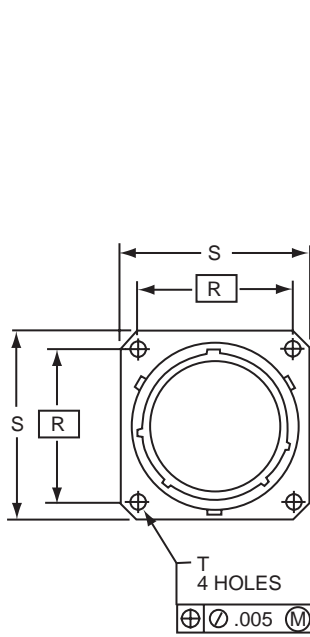
For ordering information, see how to order page 67.
 Plug movement required to clear FLJT receptacles: .625 min.

| Shell Size | M +.000 -.006 | N Dia. +.001 -.005 | R (TP) | S +.011 -.010 | T Dia. ±.005 | V Thread UNEF-2A (Plated) | SHORT SHELL VHF/UHF/MF Filters | | | LONG SHELL HF Filters | |
|------------|---------------------|-----------------------------|-----------|---------------------|--------------------|------------------------------------|-----------------------------------|---|------------------------------|------------------------------|--|
| | | | | | | | Size 20 Contact Z Max. | Size 16 or 16 & 20 Contacts Z Max. | Size 22 Contact Z Max. | Size 20 Contact Z Max. | Size 16 or 16 & 20 Contacts Z Max. |
| 9 | .632 | .572 | .719 | .938 | .128 | .4375-28 | .865 | .950 | .820 | 1.324 | 1.394 |
| 11 | .632 | .700 | .812 | 1.031 | .128 | .5625-24 | .865 | .950 | .820 | 1.324 | 1.394 |
| 13 | .632 | .850 | .906 | 1.125 | .128 | .6875-24 | .865 | .950 | .820 | 1.324 | 1.394 |
| 15 | .632 | .975 | .969 | 1.219 | .128 | .8125-20 | .865 | .950 | .820 | 1.324 | 1.394 |
| 17 | .632 | 1.100 | 1.062 | 1.312 | .128 | .9375-20 | .865 | .950 | .820 | 1.324 | 1.394 |
| 19 | .632 | 1.207 | 1.156 | 1.438 | .128 | 1.0625-18 | .865 | .950 | .820 | 1.324 | 1.394 |
| 21 | .602 | 1.332 | 1.250 | 1.562 | .128 | 1.1875-18 | .865 | .950 | .820 | 1.324 | 1.394 |
| 23 | .602 | 1.457 | 1.375 | 1.688 | .147 | 1.3125-18 | .865 | .950 | .820 | 1.324 | 1.394 |
| 25 | .602 | 1.582 | 1.500 | 1.812 | .147 | 1.4375-18 | .865 | .950 | .820 | 1.324 | 1.394 |

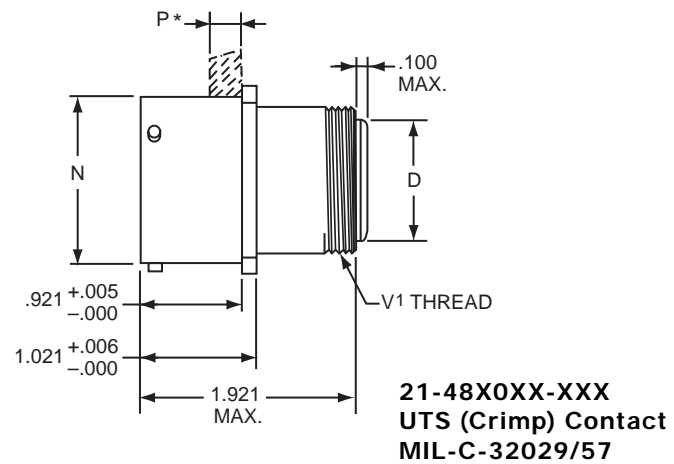
All dimensions for reference only.

FLJTPO

wall mounting receptacle (back panel mounting, UTS crimp)



21-47X0XX-XXX



**21-48X0XX-XXX
UTS (Crimp) Contact
MIL-C-32029/57**

For ordering information, see how to order page 67.

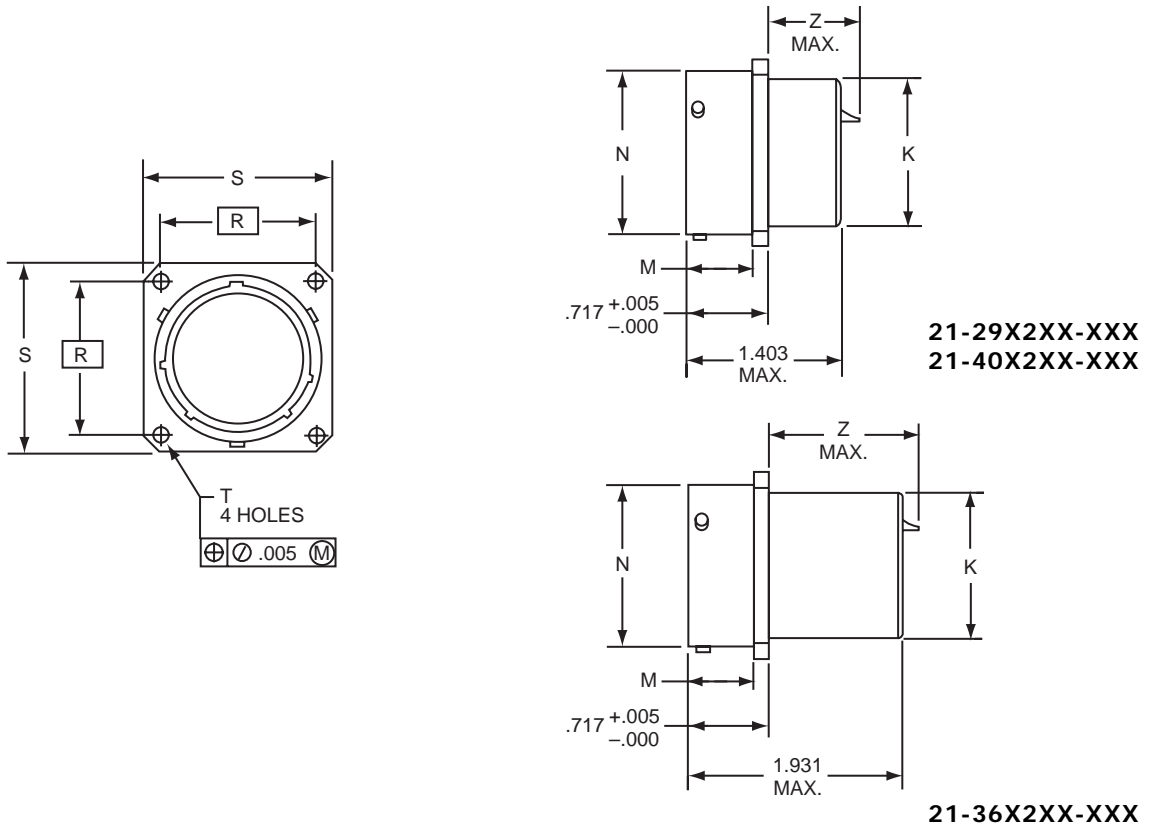
Plug movement required to clear FLJT receptacles: .625 min.

* Acceptable panel thickness for back panel mounting a standard receptacle.

| Shell Size | D Dia. ±.005 | M +.000 - .006 | N Dia. +.001 - .005 | P Max. Panel Thickness | R (TP) | S +.011 - .010 | T Dia. ±.005 | V Thread UNEF-2A (Plated) | V ¹ Thread UNEF-2A (Plated) | SHORT SHELL VHF/UHF Filters | | |
|------------|--------------|----------------|---------------------|------------------------|--------|----------------|--------------|---------------------------|--|-----------------------------|------------------------------------|------------------------|
| | | | | | | | | | | Size 20 Contact Z Max. | Size 16 or 16 & 20 Contacts Z Max. | Size 22 Contact Z Max. |
| 9 | .299 | .820 | .572 | .234 | .719 | .938 | .128 | .4375-28 | .5625-24 | .672 | .763 | .632 |
| 11 | .427 | .820 | .700 | .234 | .812 | 1.031 | .128 | .5625-24 | .6875-24 | .672 | .763 | .632 |
| 13 | .541 | .820 | .850 | .234 | .906 | 1.125 | .128 | .6875-24 | .8125-20 | .672 | .763 | .632 |
| 15 | .666 | .820 | .975 | .234 | .969 | 1.219 | .128 | .8125-20 | .9375-20 | .672 | .763 | .632 |
| 17 | .791 | .820 | 1.100 | .234 | 1.062 | 1.312 | .128 | .9375-20 | 1.0625-18 | .672 | .763 | .632 |
| 19 | .897 | .820 | 1.207 | .234 | 1.156 | 1.438 | .128 | 1.0625-18 | 1.1875-18 | .672 | .763 | .632 |
| 21 | 1.022 | .790 | 1.332 | .204 | 1.250 | 1.562 | .128 | 1.1875-18 | 1.3125-18 | .672 | .763 | .632 |
| 23 | 1.147 | .790 | 1.457 | .204 | 1.375 | 1.688 | .147 | 1.3125-18 | 1.4375-18 | .672 | .763 | .632 |
| 25 | 1.272 | .790 | 1.582 | .193 | 1.500 | 1.812 | .147 | 1.4375-18 | 1.5625-18 | .672 | .763 | .632 |

All dimensions for reference only.

FLJT box mounting receptacle



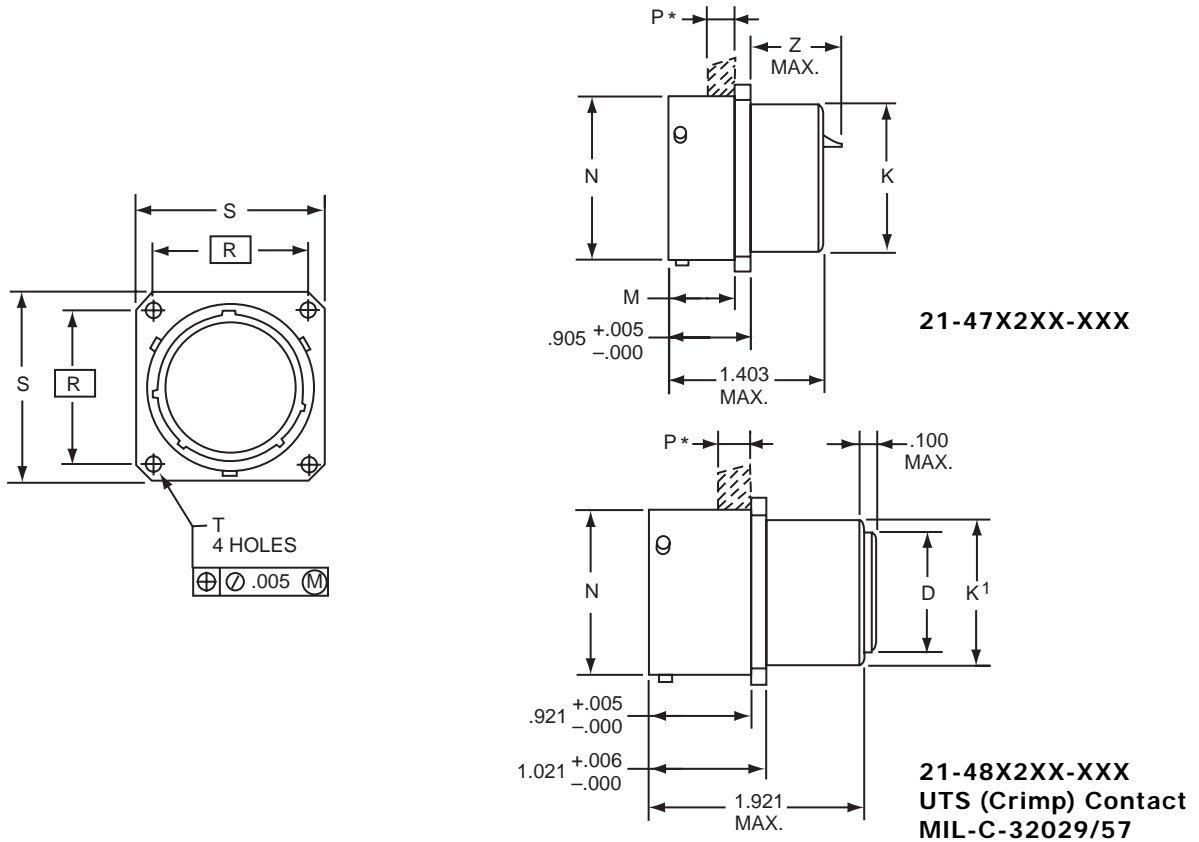
For ordering information, see how to order page 67.
 Plug movement required to clear FLJT receptacles: .625 min.

| Shell Size | K Dia. +.001 -.006 | M +.000 -.006 | N Dia. +.001 -.005 | R (TP) | S +.011 -.010 | T Dia. ±.005 | SHORT SHELL VHF/UHF/MF Filters | | | LONG SHELL HF Filters | |
|------------|--------------------------|---------------------|--------------------------|--------|---------------------|-----------------|-----------------------------------|---------------------------------------|---------------------------|---------------------------|---------------------------------------|
| | | | | | | | Size 20 Contact Z Max. | Size 16 or 16 & 20 Contacts Z Max. | Size 22 Contact Z Max. | Size 20 Contact Z Max. | Size 16 or 16 & 20 Contacts Z Max. |
| 9 | .436 | .632 | .572 | .719 | .938 | .128 | .865 | .950 | .820 | 1.324 | 1.394 |
| 11 | .560 | .632 | .700 | .812 | 1.031 | .128 | .865 | .950 | .820 | 1.324 | 1.394 |
| 13 | .686 | .632 | .850 | .906 | 1.125 | .128 | .865 | .950 | .820 | 1.324 | 1.394 |
| 15 | .810 | .632 | .975 | .969 | 1.219 | .128 | .865 | .950 | .820 | 1.324 | 1.394 |
| 17 | .936 | .632 | 1.100 | 1.062 | 1.312 | .128 | .865 | .950 | .820 | 1.324 | 1.394 |
| 19 | 1.060 | .632 | 1.207 | 1.156 | 1.438 | .128 | .865 | .950 | .820 | 1.324 | 1.394 |
| 21 | 1.186 | .602 | 1.332 | 1.250 | 1.562 | .128 | .865 | .950 | .820 | 1.324 | 1.394 |
| 23 | 1.310 | .602 | 1.457 | 1.375 | 1.688 | .147 | .865 | .950 | .820 | 1.324 | 1.394 |
| 25 | 1.436 | .602 | 1.582 | 1.500 | 1.812 | .147 | .865 | .950 | .820 | 1.324 | 1.394 |

All dimensions for reference only.

FLJTP

box mounting receptacle (back panel mounting, UTS crimp)



For ordering information, see how to order page 67.

Plug movement required to clear FLJT receptacles: .625 min.

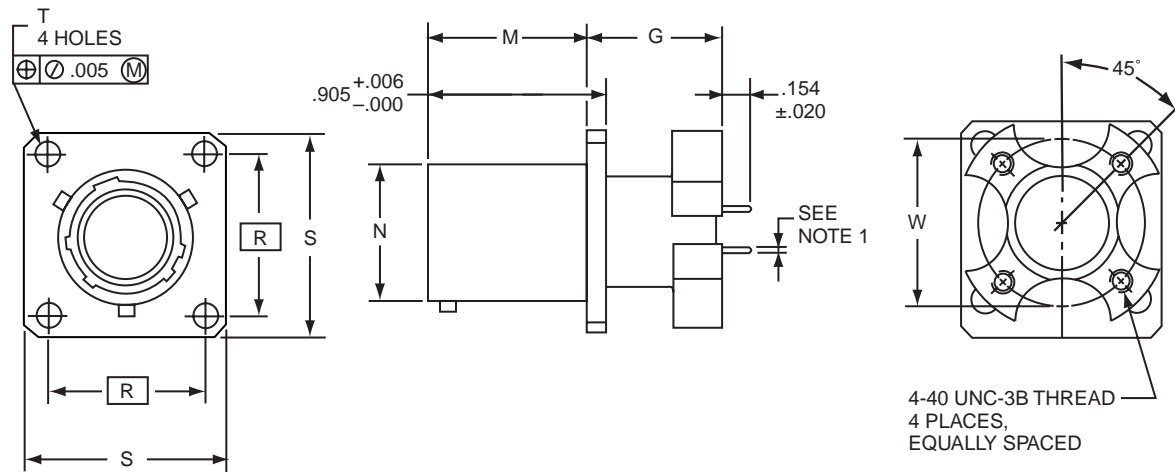
* Acceptable panel thickness for back panel mounting a standard receptacle.

| Shell Size | D Dia. ±.005 | K Dia. +.000 - .006 | K ¹ Dia. +.000 - .007 | M +.000 - .006 | N Dia. +.001 - .005 | P Max. Panel Thickness | R (TP) | S +.011 - .010 | T Dia. ±.005 | SHORT SHELL VHF/UHF Filters | | |
|------------|--------------|---------------------|----------------------------------|----------------|---------------------|------------------------|--------|----------------|--------------|-----------------------------|------------------------------------|------------------------|
| | | | | | | | | | | Size 20 Contact Z Max. | Size 16 or 16 & 20 Contacts Z Max. | Size 22 Contact Z Max. |
| 9 | .299 | .437 | .561 | .820 | .572 | .234 | .719 | .938 | .128 | .672 | .763 | .632 |
| 11 | .427 | .562 | .687 | .820 | .700 | .234 | .812 | 1.031 | .128 | .672 | .763 | .632 |
| 13 | .541 | .688 | .811 | .820 | .850 | .234 | .906 | 1.125 | .128 | .672 | .763 | .632 |
| 15 | .666 | .812 | .937 | .820 | .975 | .234 | .969 | 1.219 | .128 | .672 | .763 | .632 |
| 17 | .791 | .938 | 1.061 | .820 | 1.100 | .234 | 1.062 | 1.312 | .128 | .672 | .763 | .632 |
| 19 | .897 | 1.062 | 1.187 | .820 | 1.207 | .234 | 1.156 | 1.438 | .128 | .672 | .763 | .632 |
| 21 | 1.022 | 1.188 | 1.312 | .790 | 1.332 | .204 | 1.250 | 1.562 | .128 | .672 | .763 | .632 |
| 23 | 1.147 | 1.312 | 1.437 | .790 | 1.457 | .204 | 1.375 | 1.688 | .147 | .672 | .763 | .632 |
| 25 | 1.272 | 1.438 | 1.562 | .790 | 1.582 | .193 | 1.500 | 1.812 | .147 | .672 | .763 | .632 |

All dimensions for reference only.

FLJT

box mounting receptacle (printed circuit board mount)



21-57X2XX-XXX

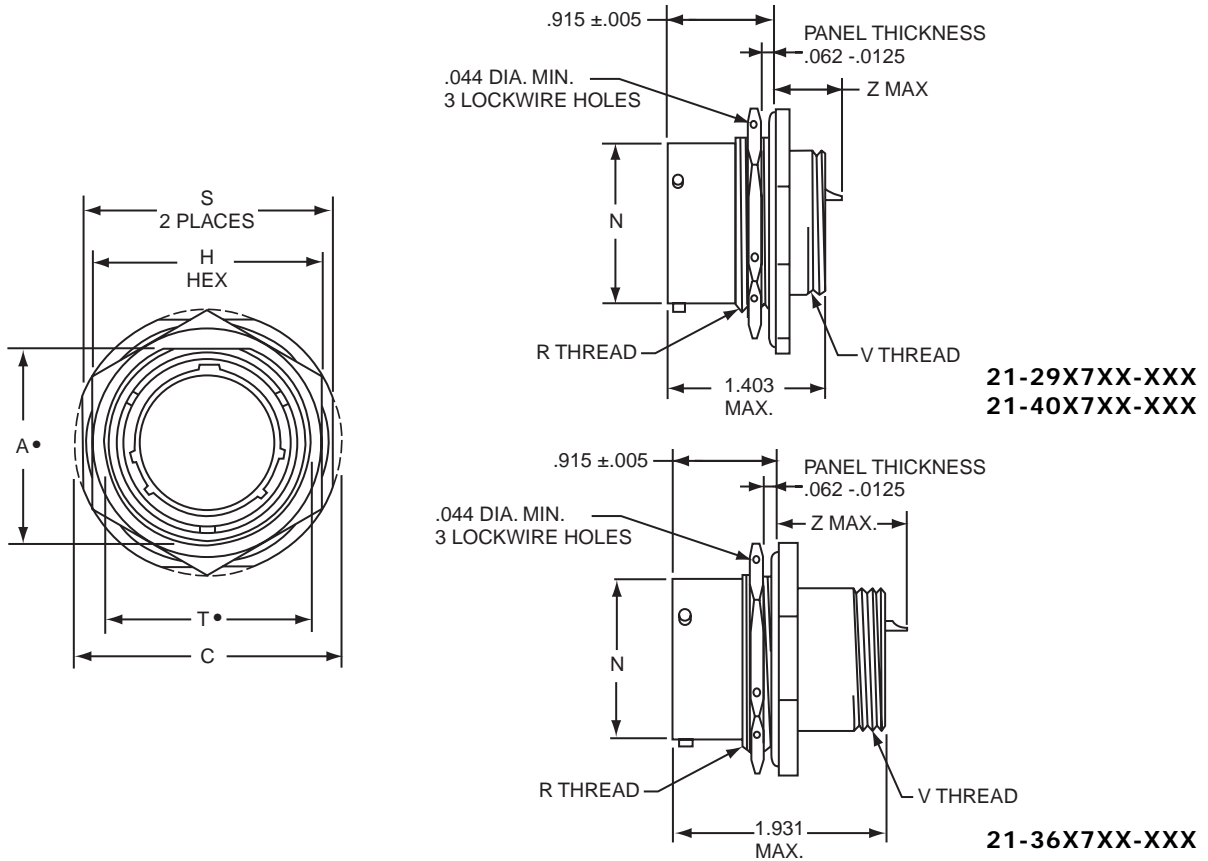
- Standard tail for size 22 is $.020 \pm .001$ dia.
Standard tail for size 20 is $.030 \pm .001$ dia.
- For ordering information, see how to order page 67.
Plug movement required to clear FLJT receptacles: $.625$ min.

| Shell Size | G +.006 -.005 | M +.000 -.005 | N Dia. +.001 -.005 | R (TP) | S +.011 -.010 | T Dia. +.004 -.003 | W |
|------------|---------------------|---------------------|-----------------------------|-----------|---------------------|-----------------------------|-------|
| 11 | .689 | .820 | .700 | .812 | 1.031 | .128 | .850 |
| 13 | .689 | .820 | .850 | .906 | 1.125 | .128 | .994 |
| 15 | .689 | .820 | .975 | .969 | 1.219 | .128 | 1.119 |
| 17 | .689 | .820 | 1.100 | 1.062 | 1.312 | .128 | 1.237 |
| 19 | .689 | .820 | 1.207 | 1.156 | 1.438 | .128 | 1.379 |
| 21 | .689 | .790 | 1.332 | 1.250 | 1.562 | .128 | 1.489 |
| 23 | .719 | .790 | 1.457 | 1.375 | 1.688 | .147 | 1.619 |
| 25 | .719 | .790 | 1.582 | 1.500 | 1.812 | .147 | 1.744 |

All dimensions for reference only.

FLJT

jam nut receptacle



• "D" shaped mounting hole dimensions

For ordering information, see how to order page 67.

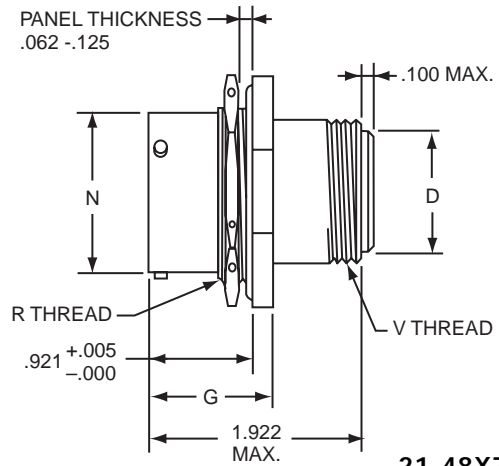
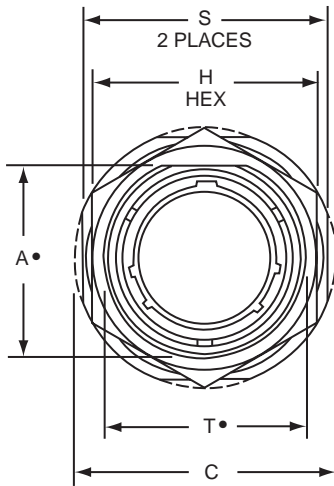
Plug movement required to clear FLJT receptacles: .625 min.

| Shell Size | A* Flat +.000 -.010 | C Dia. +.011 -.010 | H Hex +.017 -.016 | N Dia +.001 -.005 | R Thread (Plated) Class -2A | S +.016 -.015 | T* Dia. +.010 -.000 | V Thread UNEF-2A (Plated) | SHORT SHELL VHF/UHF/MF Filters | | | LONG SHELL HF Filters | |
|------------|---------------------------|--------------------------|-------------------------|-------------------------|-----------------------------------|---------------------|---------------------------|---------------------------------|-----------------------------------|---|---------------------------|---------------------------|---|
| | | | | | | | | | Size 20 Contact Z Max. | Size 16 or 16 & 20 Contacts Z Max. | Size 22 Contact Z Max. | Size 20 Contact Z Max. | Size 16 or 16 & 20 Contacts Z Max. |
| 9 | .669 | 1.188 | .875 | .572 | .6875-24UNEF | 1.062 | .697 | .4375-28 | .667 | .756 | .616 | 1.228 | 1.201 |
| 11 | .769 | 1.375 | 1.000 | .700 | .8125-20UNEF | 1.250 | .822 | .5625-24 | .667 | .756 | .616 | 1.228 | 1.201 |
| 13 | .955 | 1.500 | 1.188 | .850 | 1.0000-20UNEF | 1.375 | 1.007 | .6875-24 | .667 | .756 | .616 | 1.228 | 1.201 |
| 15 | 1.084 | 1.625 | 1.312 | .975 | 1.1250-18UNEF | 1.500 | 1.134 | .8125-20 | .667 | .756 | .616 | 1.228 | 1.201 |
| 17 | 1.208 | 1.750 | 1.438 | 1.100 | 1.2500-18UNEF | 1.625 | 1.259 | .9375-20 | .667 | .756 | .616 | 1.228 | 1.201 |
| 19 | 1.333 | 1.938 | 1.562 | 1.207 | 1.3750-18UNEF | 1.812 | 1.384 | 1.0625-18 | .667 | .756 | .616 | 1.228 | 1.201 |
| 21 | 1.459 | 2.062 | 1.688 | 1.332 | 1.5000-18UNEF | 1.938 | 1.507 | 1.1875-18 | .667 | .756 | .616 | 1.228 | 1.201 |
| 23 | 1.580 | 2.188 | 1.812 | 1.457 | 1.6250-18UNEF | 2.062 | 1.634 | 1.3125-18 | .667 | .756 | .616 | 1.228 | 1.201 |
| 25 | 1.709 | 2.312 | 2.000 | 1.582 | 1.7500-18UNS | 2.188 | 1.759 | 1.4375-18 | .667 | .756 | .616 | 1.228 | 1.201 |

All dimensions for reference only.

FLJTPO

jam nut receptacle (UTS crimp)



**21-48X7XX-XXX
UTS (Crimp) Contact
MIL-C-39029/57**

• "D" shaped mounting hole dimensions

For ordering information, see how to order page 67.

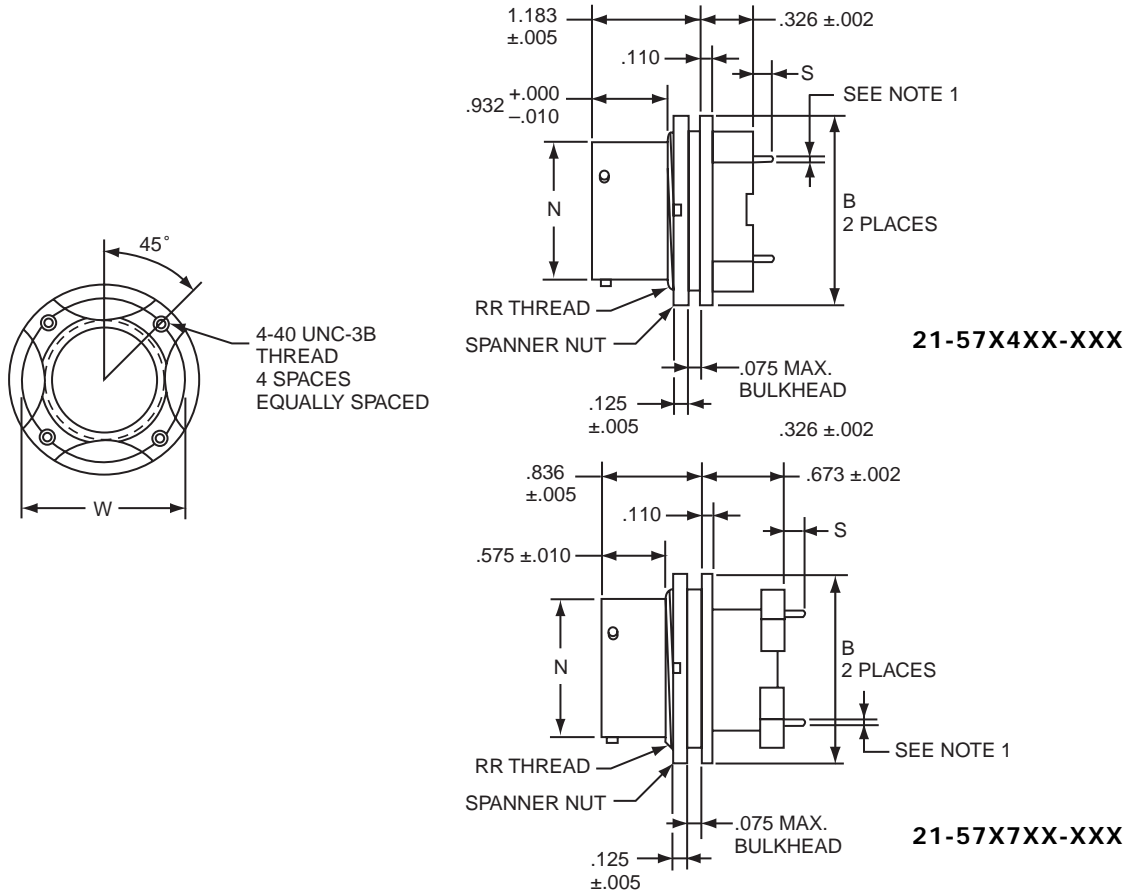
Plug movement required to clear FLJT receptacles: .625 min.

| Shell Size | A* Flat +.000 -.010 | C Dia. +.011 -.010 | D Dia. ±.005 | G +.006 -.005 | H Hex +.017 -.016 | N Dia +.001 -.005 | R Thread (Plated) Class -2A | S +.016 -.015 | T* Dia. +.010 -.000 | V Thread UNEF-2A (Plated) |
|------------|---------------------------|--------------------------|-----------------|---------------------|-------------------------|-------------------------|-----------------------------------|---------------------|---------------------------|---------------------------------|
| 9 | .669 | 1.188 | .299 | 1.030 | .875 | .572 | .6875-24UNEF | 1.062 | .697 | .5625-24 |
| 11 | .769 | 1.375 | .427 | 1.030 | 1.000 | .700 | .8125-20UNEF | 1.250 | .822 | .6875-24 |
| 13 | .955 | 1.500 | .541 | 1.030 | 1.188 | .850 | 1.0000-20UNEF | 1.375 | 1.007 | .8125-20 |
| 15 | 1.084 | 1.625 | .666 | 1.030 | 1.312 | .975 | 1.1250-18UNEF | 1.500 | 1.134 | .9375-20 |
| 17 | 1.208 | 1.750 | .791 | 1.030 | 1.438 | 1.100 | 1.2500-18UNEF | 1.625 | 1.259 | 1.0625-18 |
| 19 | 1.333 | 1.938 | .897 | 1.061 | 1.562 | 1.207 | 1.3750-18UNEF | 1.812 | 1.384 | 1.1875-18 |
| 21 | 1.459 | 2.062 | 1.022 | 1.061 | 1.688 | 1.332 | 1.5000-18UNEF | 1.938 | 1.507 | 1.3125-18 |
| 23 | 1.580 | 2.188 | 1.147 | 1.061 | 1.812 | 1.457 | 1.6250-18UNEF | 2.062 | 1.634 | 1.4375-18 |
| 25 | 1.709 | 2.312 | 1.272 | 1.061 | 2.000 | 1.582 | 1.7500-18UNS | 2.188 | 1.759 | 1.5625-18 |

All dimensions for reference only.

FLJT

jam mounting receptacle (printed circuit board mount)



1. Standard tail for size 22 is $.020 \pm .001$ dia.

Standard tail for size 20 is $.030 \pm .001$ dia.

For ordering information, see how to order page 67.

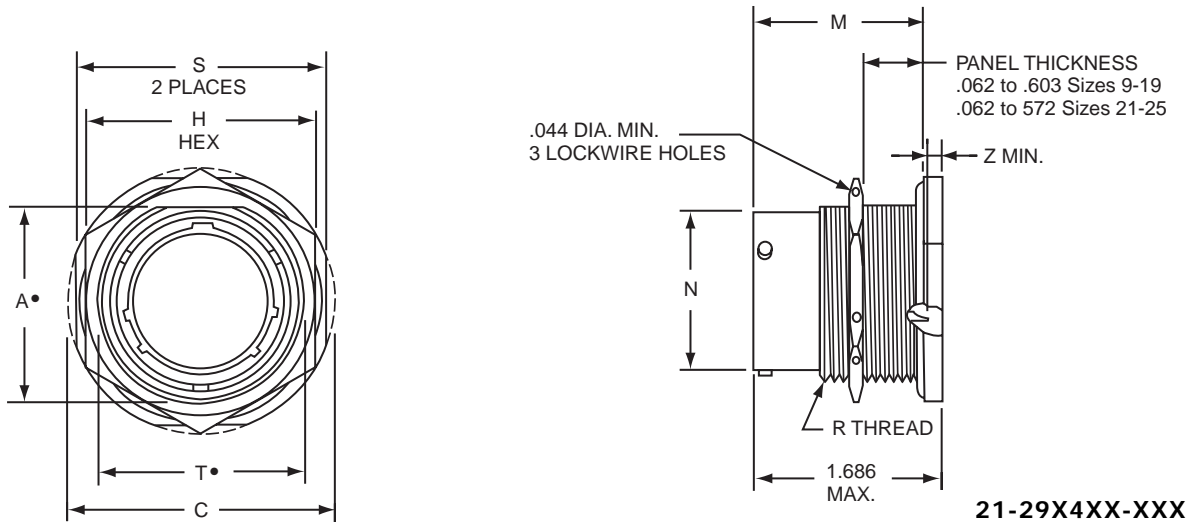
Plug movement required to clear FLJT receptacles: $.625$ min.

| Shell Size | B Dia. $\pm .005$ | N Dia. $+ .001$ $- .005$ | S $\pm .020$ | W | RR Thread UNEF-2A |
|------------|-------------------|--------------------------|--------------|-------|-------------------|
| 11 | 1.062 | .700 | .132 | .850 | .8125-20 |
| 13 | 1.250 | .850 | .132 | .994 | 1.0000-20 |
| 15 | 1.375 | .975 | .132 | 1.119 | 1.1250-20 |
| 17 | 1.500 | 1.100 | .132 | 1.237 | 1.2500-18 |
| 19 | 1.625 | 1.207 | .132 | 1.379 | 1.3750-18 |
| 21 | 1.750 | 1.332 | .132 | 1.489 | 1.5000-18 |
| 23 | 1.875 | 1.457 | .132 | 1.619 | 1.6250-18 |
| 25 | 2.000 | 1.582 | .132 | 1.744 | 1.7500-18 |

All dimensions for reference only.

FLJT

jam nut receptacle (minimum penetration)



- "D" shaped mounting hole dimensions
- For ordering information, see how to order page 67.
 Plug movement required to clear FLJT receptacles: .625 min.

| Shell Size | A* Flat +0.000 -0.010 | C Dia. +0.011 -0.010 | H Hex +0.017 -0.016 | M ±.005 | N Dia +0.001 -0.005 | R Thread (Plated) Class -2A | S +0.016 -0.015 | T* Dia. +0.010 -0.000 | SHORT SHELL VHF/UHF Filters | | | |
|------------|-----------------------------|----------------------------|---------------------------|------------|---------------------------|-----------------------------------|-----------------------|-----------------------------|--------------------------------|---------------------------------------|---------------------------|---------------------------|
| | | | | | | | | | Size 16 Contact Z Max. | Size 16 or 16 & 20 Contacts Z Max. | Size 20 Contact Z Max. | Size 22 Contact Z Max. |
| 9 | .669 | 1.188 | .875 | 1.557 | .572 | .6875-24UNEF | 1.062 | .697 | .000 | .000 | .000 | .000 |
| 11 | .769 | 1.375 | 1.000 | 1.557 | .700 | .8125-20UNEF | 1.250 | .822 | .000 | .000 | .000 | .000 |
| 13 | .955 | 1.500 | 1.188 | 1.557 | .850 | 1.0000-20UNEF | 1.375 | 1.007 | .000 | .000 | .000 | .000 |
| 15 | 1.084 | 1.625 | 1.312 | 1.557 | .975 | 1.1250-18UNEF | 1.500 | 1.134 | .000 | .000 | .000 | .000 |
| 17 | 1.208 | 1.750 | 1.438 | 1.557 | 1.100 | 1.2500-18UNEF | 1.625 | 1.259 | .000 | .000 | .000 | .000 |
| 19 | 1.333 | 1.938 | 1.562 | 1.557 | 1.207 | 1.3750-18UNEF | 1.812 | 1.384 | .000 | .000 | .000 | .000 |
| 21 | 1.459 | 2.062 | 1.688 | 1.525 | 1.332 | 1.5000-18UNEF | 1.938 | 1.507 | .000 | .000 | .000 | .000 |
| 23 | 1.580 | 2.188 | 1.812 | 1.525 | 1.457 | 1.6250-18UNEF | 2.062 | 1.634 | .000 | .000 | .000 | .000 |
| 25 | 1.709 | 2.312 | 2.000 | 1.525 | 1.582 | 1.7500-18UNS | 2.188 | 1.759 | .000 | .000 | .000 | .000 |

All dimensions for reference only.

Amphenol® FSJT Series Subminiature Cylindrical Filters

The Amphenol® FSJT Series combines the unique design features of the scoop-proof FLJT Series with the standard mounting dimensions of JT types. (See SJT Catalog 12-091)

- 100% scoop-proof design
- Standard mounting dimensions
- Compliance with European Specifications PAN6433-2, LN29729, BS9522 F0012, VG96912
- Uses proven filter technology with available components from other series
- EMP protection versions available

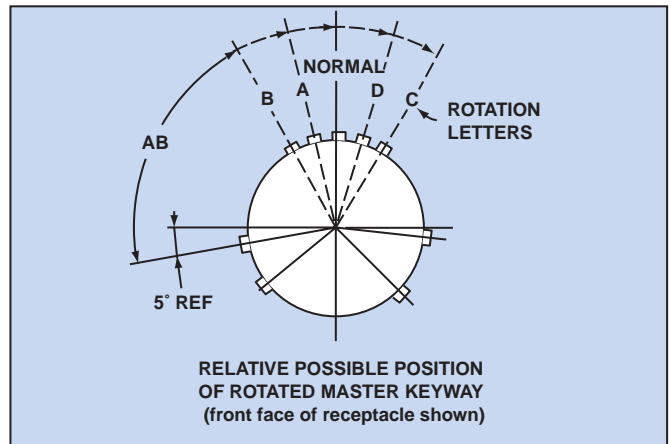


FSJT Master Key/Keyway Rotation

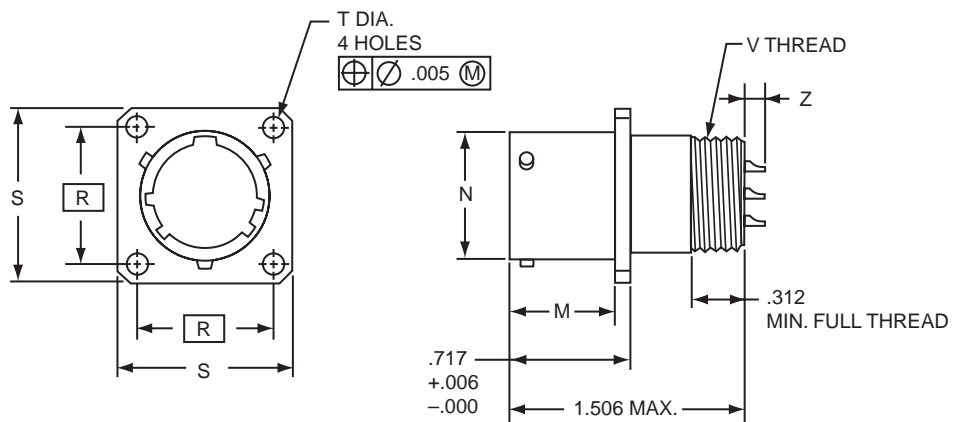
| Shell Size | AB Angle of Rotation (Degrees) | | | | |
|------------|--------------------------------|----|----|-----|-----|
| | Normal | A | B | C | D |
| 8 | 95 | — | — | — | — |
| 10 | 95 | 81 | 67 | 123 | 109 |
| 12 | 95 | 75 | 63 | 127 | 115 |
| 14 | 95 | 74 | 61 | 129 | 116 |
| 16 | 95 | 77 | 65 | 125 | 113 |
| 18 | 95 | 77 | 65 | 125 | 113 |
| 20 | 95 | 77 | 65 | 125 | 113 |
| 22 | 95 | 80 | 69 | 121 | 110 |
| 24 | 95 | 80 | 69 | 121 | 110 |

A plug with a given rotation letter will mate with a receptacle with the same rotation letter. The AB angle for a given connector is the same whether it contains pins or sockets. Inserts are not rotated in conjunction with the master key/keyway.

AB angles shown are viewed from the front face of the connector. A receptacle is shown at right. The angles for the plug are exactly the same, except the direction of rotation is opposite of that shown for the receptacle.



FSJT wall mounting receptacle



21-63X0XX-XXX

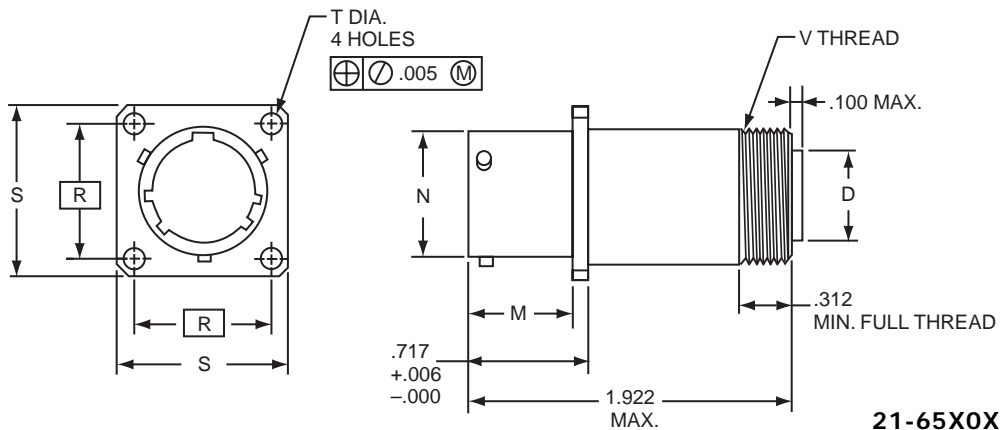
For ordering information, see how to order page 67.
Plug movement required to clear FSJT receptacles: .625 min.

| Shell Size | M +.000 -.005 | N Dia. +.001 -.005 | R (TP) | S +.021 -.020 | T Dia. +.004 -.003 | V Thread UNEF-2A | Z Max. | | |
|------------|---------------------|--------------------------|--------|---------------------|--------------------------|---------------------|-----------------|------------------------|-----------------|
| | | | | | | | Size 20 Contact | Size 16 or 20 Contacts | Size 22 Contact |
| 10 | .632 | .590 | .719 | .938 | .120 | .5625-24 | .165 | .265 | .134 |
| 12 | .632 | .750 | .812 | 1.031 | .120 | .6875-24 | .165 | .265 | .134 |
| 14 | .632 | .875 | .906 | 1.125 | .120 | .8125-20 | .165 | .265 | .134 |
| 16 | .632 | 1.000 | .969 | 1.219 | .120 | .9375-20 | .165 | .265 | .134 |
| 18 | .632 | 1.125 | 1.062 | 1.312 | .120 | 1.0625-18 | .165 | .265 | .134 |
| 20 | .602 | 1.250 | 1.156 | 1.438 | .120 | 1.1875-18 | .165 | .265 | .134 |
| 22 | .602 | 1.375 | 1.250 | 1.562 | .120 | 1.3125-18 | .165 | .265 | .134 |
| 24 | .602 | 1.500 | 1.375 | 1.688 | .147 | 1.4375-18 | .165 | .265 | .134 |

All dimensions for reference only.

FSJT

wall mounting receptacle (UTS crimp)



**21-65X0XX-XXX
UTS (Crimp) Contact
MIL-C-39029/57**

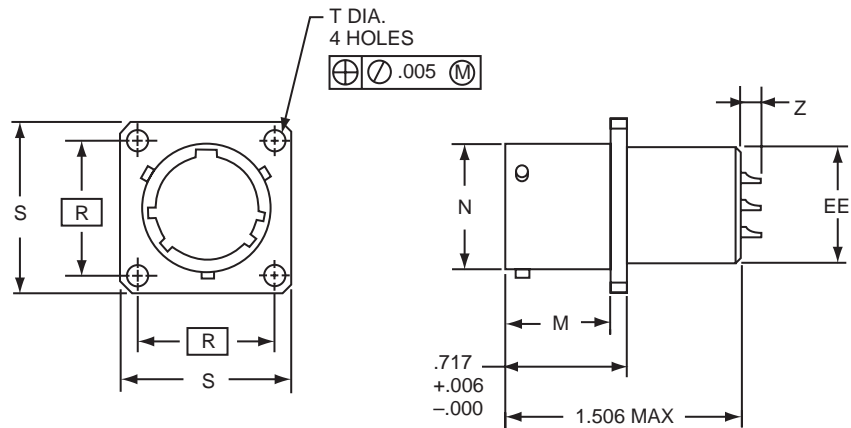
For ordering information, see how to order page 67.
Plug movement required to clear FSJT receptacles: .625 min.

| Shell Size | D Dia. ±.005 | M +.000 - .005 | N Dia. +.001 - .005 | R (TP) | S +.021 - .020 | T Dia. +.004 - .003 | V Thread UNEF-2A |
|------------|--------------|----------------|---------------------|--------|----------------|---------------------|------------------|
| 10 | .427 | .632 | .590 | .719 | .938 | .120 | .6875-24 |
| 12 | .541 | .632 | .750 | .812 | 1.031 | .120 | .8125-20 |
| 14 | .666 | .632 | .875 | .906 | 1.125 | .120 | .9375-20 |
| 16 | .791 | .632 | 1.000 | .969 | 1.219 | .120 | 1.0625-18 |
| 18 | .897 | .632 | 1.125 | 1.062 | 1.312 | .120 | 1.1875-18 |
| 20 | 1.022 | .602 | 1.250 | 1.156 | 1.438 | .120 | 1.3125-18 |
| 22 | 1.147 | .602 | 1.375 | 1.250 | 1.562 | .120 | 1.4375-18 |
| 24 | 1.272 | .602 | 1.500 | 1.375 | 1.688 | .147 | 1.5625-18 |

All dimensions for reference only.

FSJT

box mounting receptacle



21-63X2XX-XXX

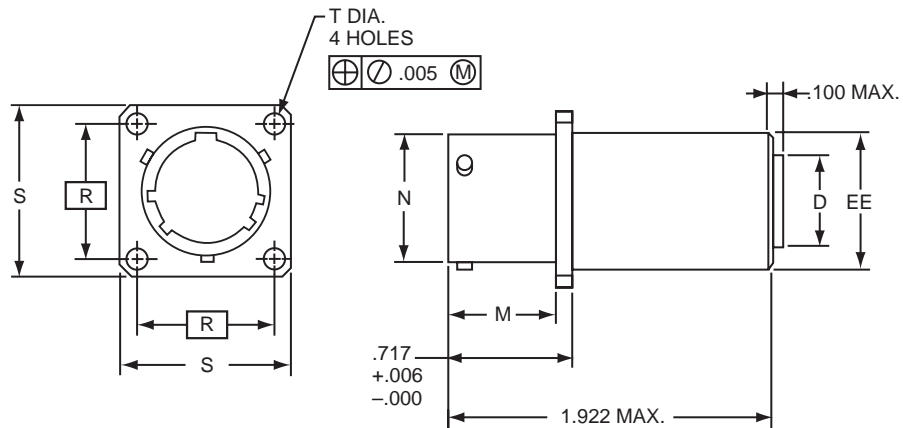
For ordering information, see how to order page 67.
 Plug movement required to clear FSJT receptacles: .625 min.

| Shell Size | M +.000 -.005 | N Dia. +.001 -.005 | R (TP) | S +.021 -.020 | T Dia. +.004 -.003 | EE +.001 -.005 | Z Max. | | | |
|------------|---------------------|--------------------------|-----------|---------------------|--------------------------|----------------------|-----------------|-----------------|-----------------------------|-----------------|
| | | | | | | | Size 16 Contact | Size 20 Contact | Size 16 or 16 & 20 Contacts | Size 22 Contact |
| 10 | .632 | .590 | .719 | .938 | .120 | .562 | .265 | .165 | .265 | .134 |
| 12 | .632 | .750 | .812 | 1.031 | .120 | .687 | .265 | .165 | .265 | .134 |
| 14 | .632 | .875 | .906 | 1.125 | .120 | .812 | .265 | .165 | .265 | .134 |
| 16 | .632 | 1.000 | .969 | 1.219 | .120 | .937 | .265 | .165 | .265 | .134 |
| 18 | .632 | 1.125 | 1.062 | 1.312 | .120 | 1.062 | .265 | .165 | .265 | .134 |
| 20 | .602 | 1.250 | 1.156 | 1.438 | .120 | 1.187 | .265 | .165 | .265 | .134 |
| 22 | .602 | 1.375 | 1.250 | 1.562 | .120 | 1.312 | .265 | .165 | .265 | .134 |
| 24 | .602 | 1.500 | 1.375 | 1.688 | .147 | 1.437 | .265 | .165 | .265 | .134 |

All dimensions for reference only.

FSJT

box mounting receptacle (UTS crimp)



21-65X2XX-XXX
UTS (Crimp) Contact
MIL-C-39029/57

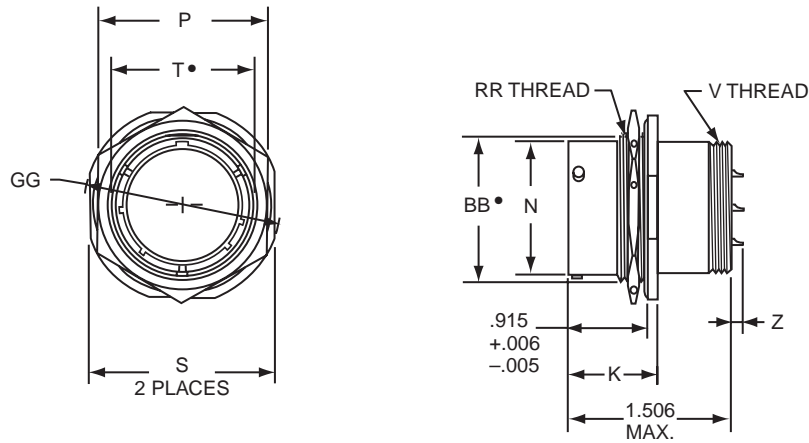
For ordering information, see how to order page 67.
 Plug movement required to clear FSJT receptacles: .625 min.

| Shell Size | D Dia. ±.005 | M +.000 - .005 | N Dia. +.001 - .005 | R (TP) | S +.021 - .020 | T Dia. +.004 - .003 | EE Dia. +.001 - .005 |
|------------|--------------|----------------|---------------------|--------|----------------|---------------------|----------------------|
| 10 | .427 | .632 | .590 | .719 | .938 | .120 | .687 |
| 12 | .541 | .632 | .750 | .812 | 1.031 | .120 | .811 |
| 14 | .666 | .632 | .875 | .906 | 1.125 | .120 | .937 |
| 16 | .791 | .632 | 1.000 | .969 | 1.219 | .120 | 1.061 |
| 18 | .897 | .632 | 1.125 | 1.062 | 1.312 | .120 | 1.187 |
| 20 | 1.022 | .602 | 1.250 | 1.156 | 1.438 | .120 | 1.312 |
| 22 | 1.147 | .602 | 1.375 | 1.250 | 1.562 | .120 | 1.437 |
| 24 | 1.272 | .602 | 1.500 | 1.375 | 1.688 | .147 | 1.562 |

All dimensions for reference only.

FSJT

jam nut receptacle



21-63X7XX-XXX

- “D” shaped mounting hole dimensions

For ordering information, see how to order page 67.

Plug movement required to clear FSJT receptacles: .625 min.

| Shell Size | K +.006 -.005 | N Dia. +.001 -.005 | P Hex | S ±.016 | T +.010 -.000 | V Thread UNEF Class 2A | Z ±.020 | BB +.000 -.010 | GG Max. | RR Thread UNEF Class 2A | SS +.001 -.016 |
|------------|---------------------|-----------------------------|----------|------------|---------------------|---------------------------------|------------|----------------------|------------|----------------------------------|----------------------|
| 10 | 1.024 | .590 | .875 | 1.062 | .697 | .5625-24 | .150 | .669 | 1.203 | .6875-24 | .680 |
| 12 | 1.024 | .750 | 1.062 | 1.250 | .884 | .6875-24 | .150 | .830 | 1.391 | .8750-20 | .859 |
| 14 | 1.024 | .875 | 1.188 | 1.375 | 1.007 | .8125-20 | .150 | .955 | 1.515 | 1.0000-20 | .984 |
| 16 | 1.024 | 1.000 | 1.312 | 1.500 | 1.134 | .9375-20 | .150 | 1.084 | 1.641 | 1.1250-18 | 1.108 |
| 18 | 1.055 | 1.125 | 1.438 | 1.625 | 1.259 | 1.0625-18 | .150 | 1.208 | 1.766 | 1.2500-18 | 1.233 |
| 20 | 1.055 | 1.250 | 1.562 | 1.812 | 1.384 | 1.1875-18 | .150 | 1.333 | 1.953 | 1.3750-18 | 1.358 |
| 22 | 1.055 | 1.375 | 1.688 | 1.938 | 1.507 | 1.3125-18 | .150 | 1.459 | 2.078 | 1.5000-18 | 1.483 |
| 24 | 1.055 | 1.500 | 1.812 | 2.062 | 1.634 | 1.4375-18 | .150 | 1.580 | 2.203 | 1.6250-18 | 1.610 |

All dimensions for reference only.