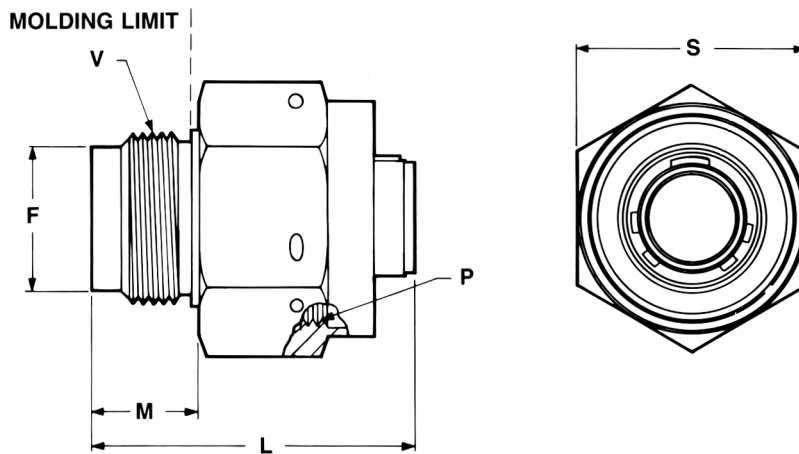


AJ6R Aquacon

straight plug



*AJ6C-XX-XXX (445)
*AJ6R-XX-XXX (445)

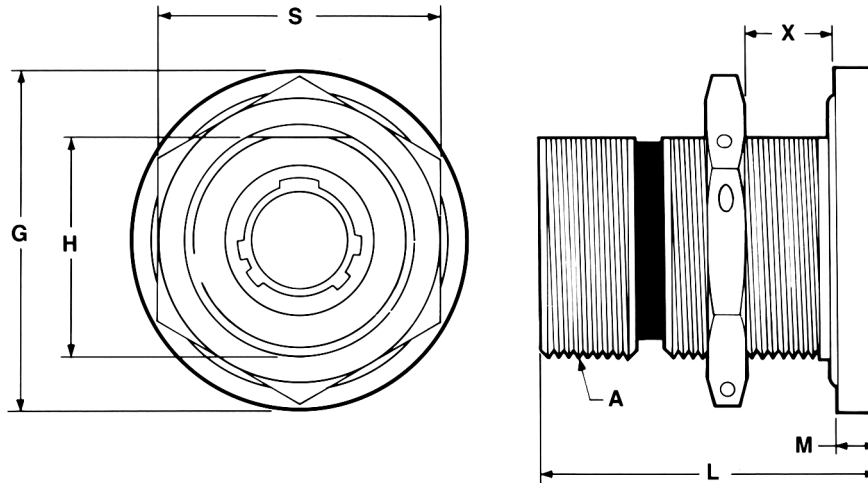
* To complete order number, see page 12.
For installation data, see pages 11-12.

Shell Size	F Dia. +.000 -.005	L Max.	M ±.010	P Thread Class 2B	S Hex ±.016	V Thread Class 2A UNEF
8	.477	1.067	.360	.750-20 UNEF	.875	.5625-24
10	.602	1.067	.360	.875-20 UNEF	1.000	.6875-24
12	.727	1.062	.360	1.000-20 UNEF	1.125	.8125-20
14	.852	1.062	.360	1.125-18 UNEF	1.250	.9375-20
16	.977	1.062	.360	1.250-18 UNEF	1.375	1.0625-18
18	1.102	1.062	.360	1.375-18 UNEF	1.500	1.1875-18
20	1.227	1.312	.610	1.500-18 UNEF	1.625	1.3125-18
22	1.352	1.312	.610	1.625-18 UNEF	1.750	1.4375-18
24	1.477	1.312	.610	1.750-18 UNS	1.875	1.5625-18

All dimensions for reference only.

AJ7H Aquacon

hermetic jam nut receptacle



***AJ7H-XX-XXX**

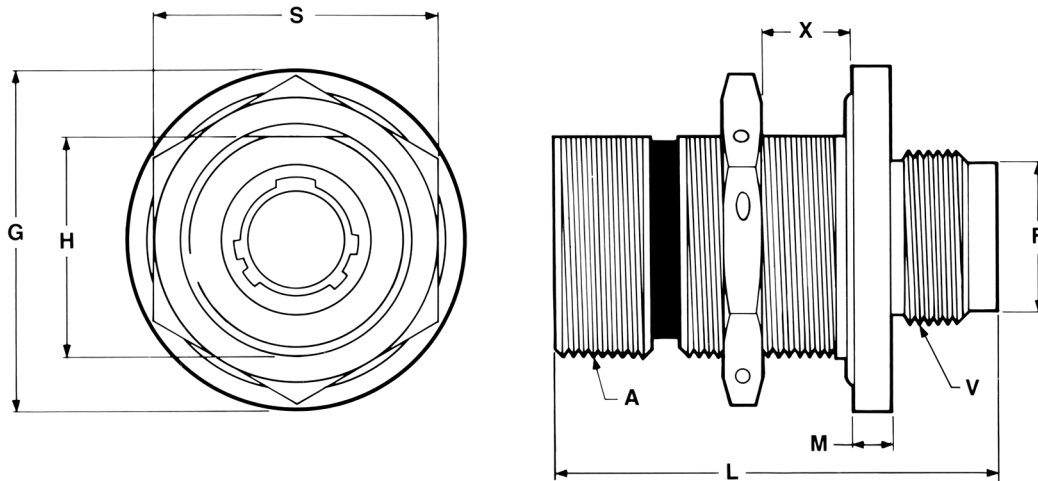
* To complete order number, see page 12.
For installation data, see pages 11-12.

Shell Size	A Thread Class 2A	G Dia.	H +.000 -.005	L (Hermetic)	M	S Hex. ±.016	X Bulkhead Thickness
8	.750-20 UNEF	1.125	.700	1.125	.125	.938	.03-.31
10	.875-20 UNEF	1.250	.825	1.125	.125	1.062	.03-.31
12	1.000-20 UNEF	1.406	.950	1.125	.125	1.188	.03-.31
14	1.125-18 UNEF	1.531	1.075	1.125	.125	1.312	.03-.31
16	1.250-18 UNEF	1.654	1.200	1.125	.125	1.438	.03-.31
18	1.375-18 UNEF	1.844	1.325	1.125	.125	1.562	.03-.31
20	1.500-18 UNEF	2.000	1.450	1.250	.188	1.688	.03-.38
22	1.625-18 UNEF	2.125	1.575	1.250	.188	1.812	.03-.38
24	1.750-18 UNS	2.250	1.700	1.250	.188	2.000	.03-.38

All dimensions for reference only.

AJ7R Aquacon

jam nut receptacle



***AJ7R-XX-XXX (168)**

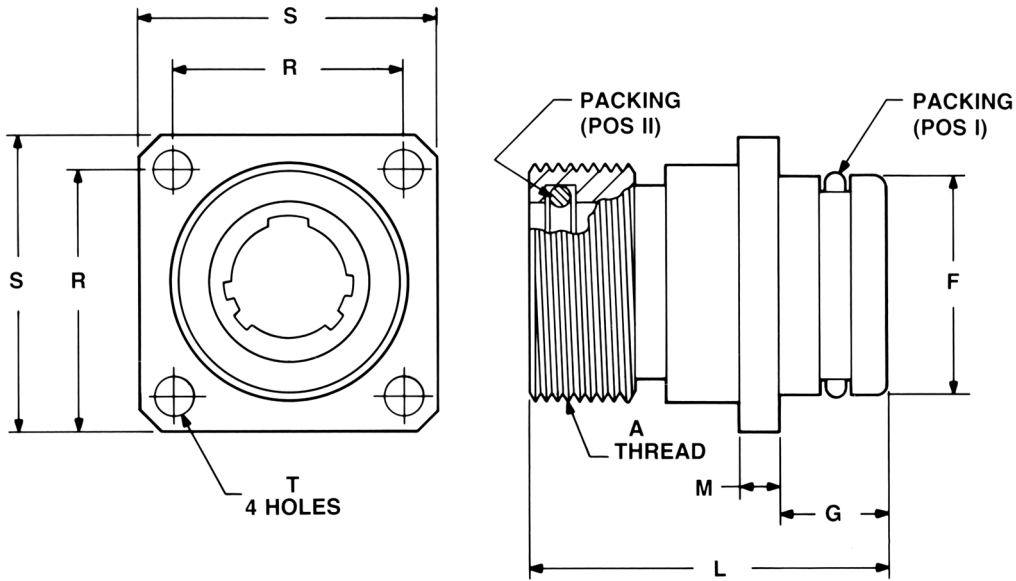
* To complete order number, see page 12.
For installation data, see pages 11-12.

Shell Size	A Thread Class 2A	F +.000 -.005	G Dia.	H +.000 -.005	L	M	S Hex. ±.016	V Thread Class 2A UNEF	X Bulkhead Thickness
8	.750-20 UNEF	.477	1.125	.700	1.484	.125	.938	.5625-24	.03-.31
10	.875-20 UNEF	.602	1.250	.825	1.484	.125	1.062	.6875-24	.03-.31
12	1.000-20 UNEF	.727	1.406	.950	1.484	.125	1.188	.8125-20	.03-.31
14	1.125-18 UNEF	.852	1.531	1.075	1.484	.125	1.312	.9375-20	.03-.31
16	1.250-18 UNEF	.977	1.654	1.200	1.484	.125	1.438	1.0625-18	.03-.31
18	1.375-18 UNEF	1.102	1.844	1.325	1.484	.125	1.562	1.1875-18	.03-.31
20	1.500-18 UNEF	1.227	2.000	1.450	1.609	.188	1.688	1.3125-18	.03-.38
22	1.625-18 UNEF	1.352	2.125	1.575	1.609	.188	1.812	1.4375-18	.03-.38
24	1.750-18 UNS	1.477	2.250	1.700	1.609	.188	2.000	1.5625-18	.03-.38

All dimensions for reference only.

AJ0H Aquacon

hermetic square flange receptacle



*AJ0H-XX-XXX

* To complete order number, see page 12.
For installation data, see pages 11-12.

Shell Size	A Thread Class 2A	F Dia. +.000 - .001	G ±.030	L	M	R	S	T ±.005	Packing Pos I Part Number	Packing Pos II Part Number
8	.750-20 UNEF	.685	.344	1.125	.125	.719	.938	.128	10-90351-15	10-90351-14
10	.875-20 UNEF	.810	.344	1.125	.125	.812	1.031	.128	10-90351-17	10-90351-16
12	1.000-20 UNEF	.935	.344	1.125	.125	.906	1.125	.128	10-90351-19	10-90351-18
14	1.125-18 UNEF	1.060	.344	1.125	.125	.969	1.219	.128	10-90351-21	10-90351-20
16	1.250-18 UNEF	1.185	.344	1.125	.125	1.062	1.312	.128	10-90351-23	10-90351-22
18	1.375-18 UNEF	1.248	.344	1.125	.125	1.156	1.438	.128	10-90351-24	10-90351-24
20	1.500-18 UNEF	1.373	.375	1.219	.188	1.250	1.562	.128	10-90351-26	10-90351-26
22	1.625-18 UNEF	1.498	.375	1.219	.188	1.375	1.688	.147	10-90351-28	10-90351-28
24	1.750-18 UNS	1.623	.375	1.219	.188	1.500	1.812	.147	10-90351-29	10-90351-29

All dimensions for reference only.