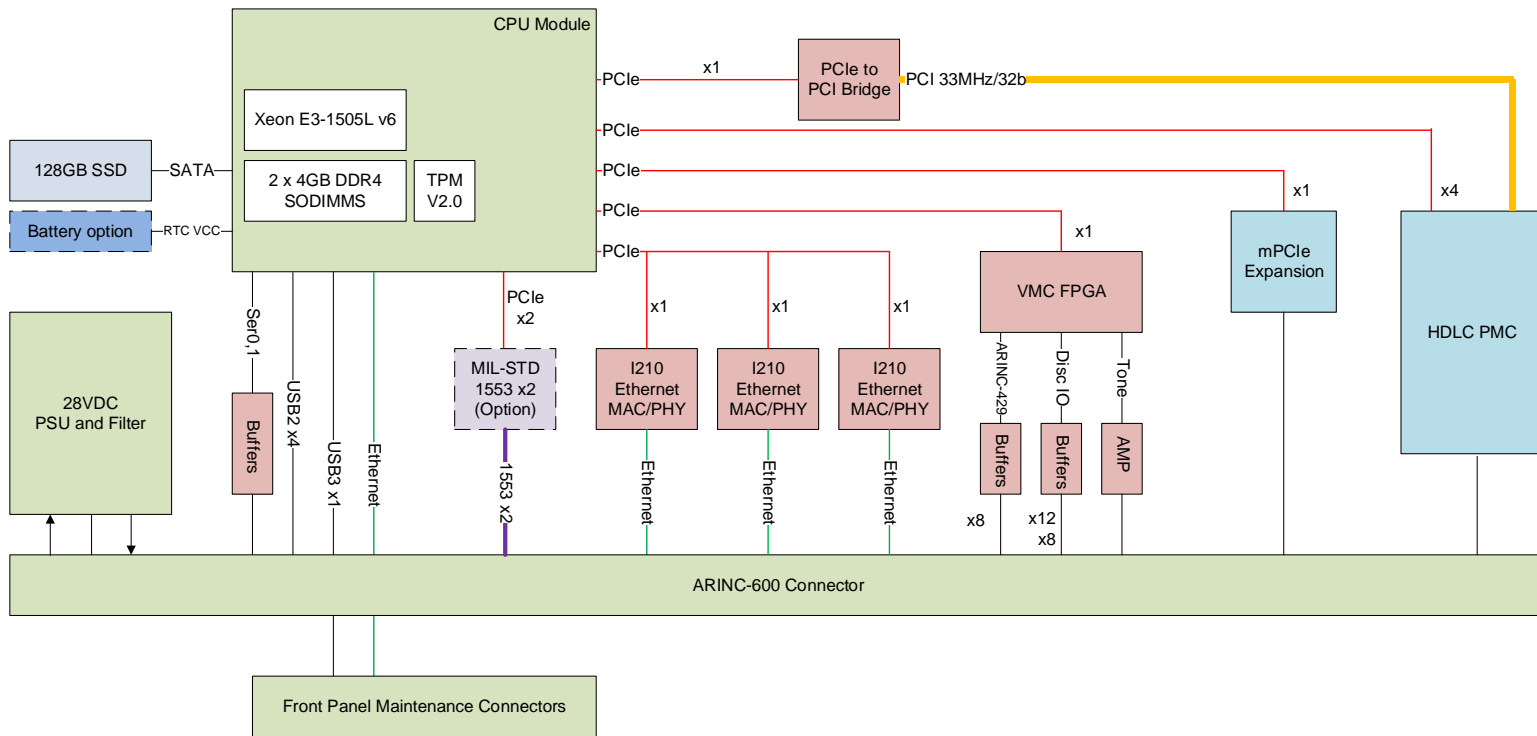


High Level Requirements

- **Compliant with ARINC600 2MCU form factor**
- **Powered on 28 V DC**
- **Based on Intel processor – modest power consumption <25W CPU**
- **Providing the following interfaces:**
 - Ethernet
 - USB
 - GPIOs
 - ARINC429
 - HDLC channels
 - XMC/PMC/mPCIe slots for additional I/Os

Block Diagram



Any interest in PMC – adds cost and complexity vs XMC

Proposed Solution

ARINC-600 2MCU **convection cooled** chassis

Size 2 ARINC-600 connector – pinout TBD

Size: 59 x 193 x 320 mm (WHD)

Weight: ~6 kg (estimated)

Front panel Maintenance connectors are Fischer MiniMax series, and will be supplied with blanking caps. These connectors are rugged high-speed and reasonably priced. Adapter cables will be required to breakout to standard connectors for the Maintenance interfaces:

- Ethernet
- USB
- DVI



ROM pricing

- **ARINC-600 2MCU system, 28VDC, convection-cooled**
- **Intel Xeon E3-1505L v6 CPU 2.2GHz**
- **8GB DDR, 128GB SSD**
- **MIL-STD-1553 option not included**

Contact us for pricing.

